

CATFORD

Jamestown

SA 5491

ENGINEERING PRODUCTS

All Prices Excluding GST

Phone: 0418 641 566

www.catford.com.au sales@catford.com.au

MOBILE DIRECTIONAL CONTROL VALVES



Please call or email for prices and availability.

CATFORD ENGINEERING PRODUCTS

Jamestown
SA 5491



Make	Model	Page
Nimco	CV110 Series	30
Nimco	CV400 Series	31
Nimco	SVB Series	32
THW	Ordering Codes	33
THW	GM08 Series	34
THW	GM10 Series	35
Husco	5000 Series	36
Husco	6000 Series	37
THW	Manual 6 Port Selectors	38
Hidros	Solenoid 6 Port Selectors	39

Due to fluctuations in the Australian dollar and the economic climate, please be advised that all prices are subject to change.
Please contact us to confirm pricing.

Charles:

Mobile 0418 641 566

Email sales@catford.com.au

Web www.catford.com.au



MOBILE DIRECTIONAL CONTROL VALVES



CV110

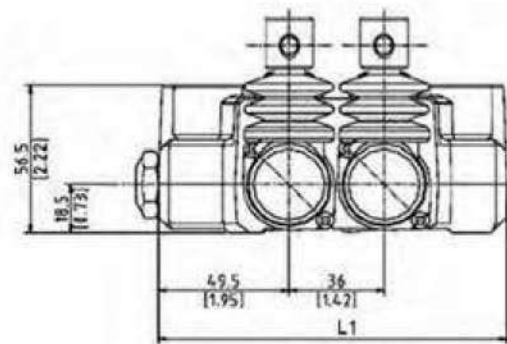
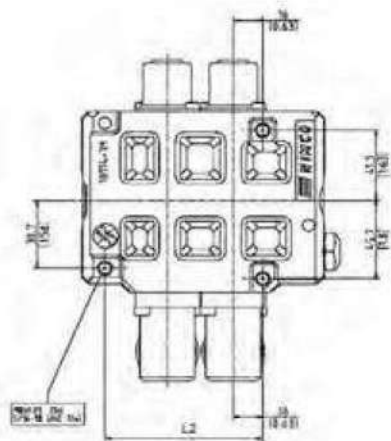
High Performance Monoblock Valves

Part Number	Spools	Max Flow (lpm)	Max Pressure (bar)	Ports				Weight (kg)	L1 (mm)	L2 (mm)	Price (Ex. GST)
				A	B	P	T				
CV111/1S-9S5	1	50	320	3/8" BSP	3/8" BSP	3/8" BSP	1/2" BSP	3.2	96	50	
CV112/1S-9S5	2	50	320	3/8" BSP	3/8" BSP	3/8" BSP	1/2" BSP	6.6	132	86	
CV113/1S-9S5	3	50	320	3/8" BSP	3/8" BSP	3/8" BSP	1/2" BSP	8.3	168	122	
CV114/1S-9S5	4	50	320	3/8" BSP	3/8" BSP	3/8" BSP	1/2" BSP	10	204	158	
CV115/1S-9S5	5	50	320	3/8" BSP	3/8" BSP	3/8" BSP	1/2" BSP	11.7	240	194	

Note: Standard options include spring centred double acting spool

Features

- Load holding checks on each section
- Exceptionally low spool leakage
- Float spool options



Part Number	Description	Price (Ex. GST)
10347-4S	Lever Handle 175mm	
10266-4S	Lever Box Assembly	
11701-3S	Dual Lever Assembly	
10515-4S	Cable Kit	
11934-3S	3 Position Detent Kit	
11935-3S	Detent in Position 2	
11936-3S	Detent in Position 3	
4S-1848	Pneumatic On/Off	
610038	Closed Centre Plug	
10534-4S	High Pressure Carry Over Plug	
15081-3B	CV110 Double Acting Spool + Metering	
10574-3B	CV110 Single Acting Spool - Port A	
10309-3B	CV110 Double Acting Spool + Float	
10308-3B	CV110 Double Acting Spool + Float and Metering	
10576-3B	CV110 Motor Spool + Metering	

MOBILE DIRECTIONAL CONTROL VALVES



CV400

High Performance Monoblock Valves

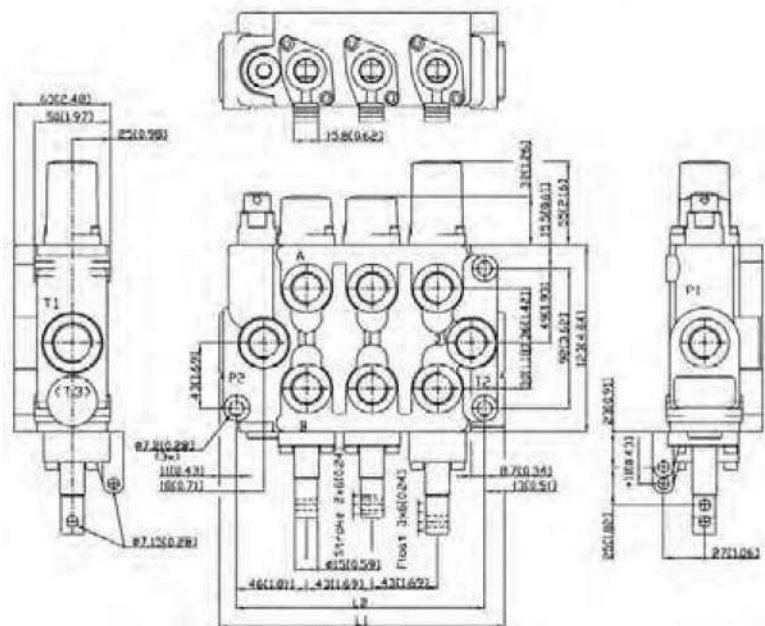


Part Number	Spools	Max Flow (lpm)	Max Pressure (bar)	Ports				Weight (kg)	L1 (mm)	L2 (mm)	Price (Ex. GST)
				A	B	P	T				
CV401/1S-9S5	1	80	320	1/2" BSP	1/2" BSP	1/2" BSP	3/4" BSP	4.4	101	77	
CV402/1S-9S5	2	80	320	1/2" BSP	1/2" BSP	1/2" BSP	3/4" BSP	6.6	144	120	
CV403/1S-9S5	3	80	320	1/2" BSP	1/2" BSP	1/2" BSP	3/4" BSP	8.7	187	163	
CV404/1S-9S5	4	80	320	1/2" BSP	1/2" BSP	1/2" BSP	3/4" BSP	10.9	230	206	

Note: Standard options include spring centred double acting spool

Features

- Exceptionally low spool leakage
- Float spool options



Part Number	Description	Price (Ex. GST)
10347-4S	Lever Handle	
2S-40103	Lever Box Assembly	
4S-5139	Cable Kit	
4S-4136	3 Position Detent Kit	
4S-4296	Detent in Position 2	
4S-4297	Detent in Position 3	
4S-4043	Pneumatic On/Off	
610034-M	Closed Centre Plug	
4S-4031	High Pressure Carry Over Plug	
3B-4122	CV400 Single Acting Spool - Port B	
3B-4061	CV400 Double Acting Spool - Float	
3B-4035	CV400 Motor Spool	

MOBILE DIRECTIONAL CONTROL VALVES



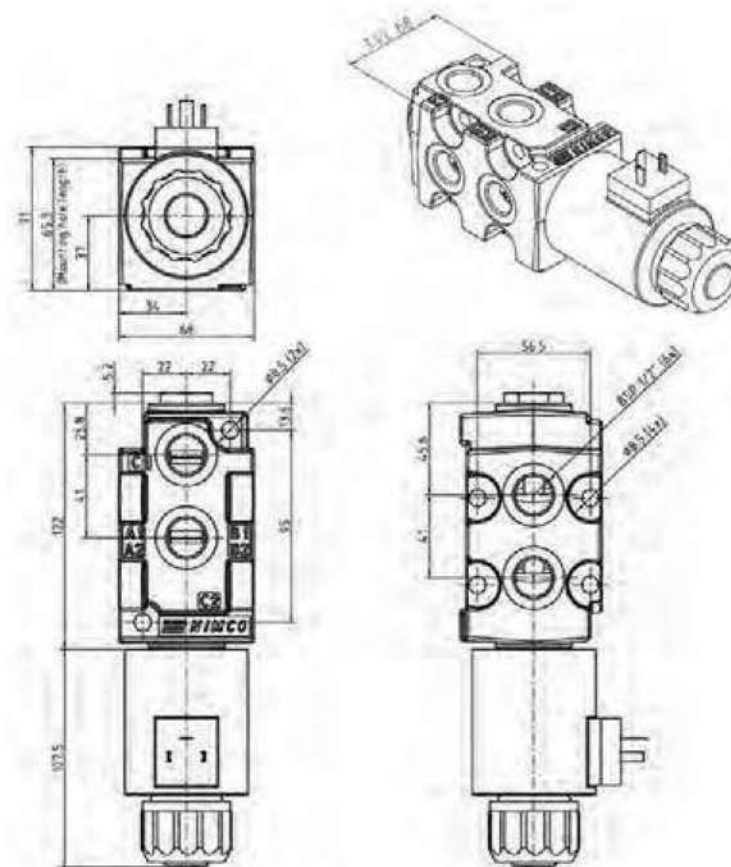
SVB

High Performance Solenoid Selector Valves

Part Number	Description	Coil Voltage	Nominal Flow (lpm)	Adjusted Range (bar)	Ports	Price (Ex. GST)
SVB-04-1/2-12V	6 Port Selector Valve	12VDC	90	80-250	1/2" BSP	
SVB-04-1/2-24V	6 Port Selector Valve	24VDC	90	80-250	1/2" BSP	

Spares

Part Number	Description	Coil Voltage	Price (Ex. GST)
4K-1503	Coil to Suit SVB Valve	12VDC	
4K-1504	Coil to Suit SVB Valve	24VDC	

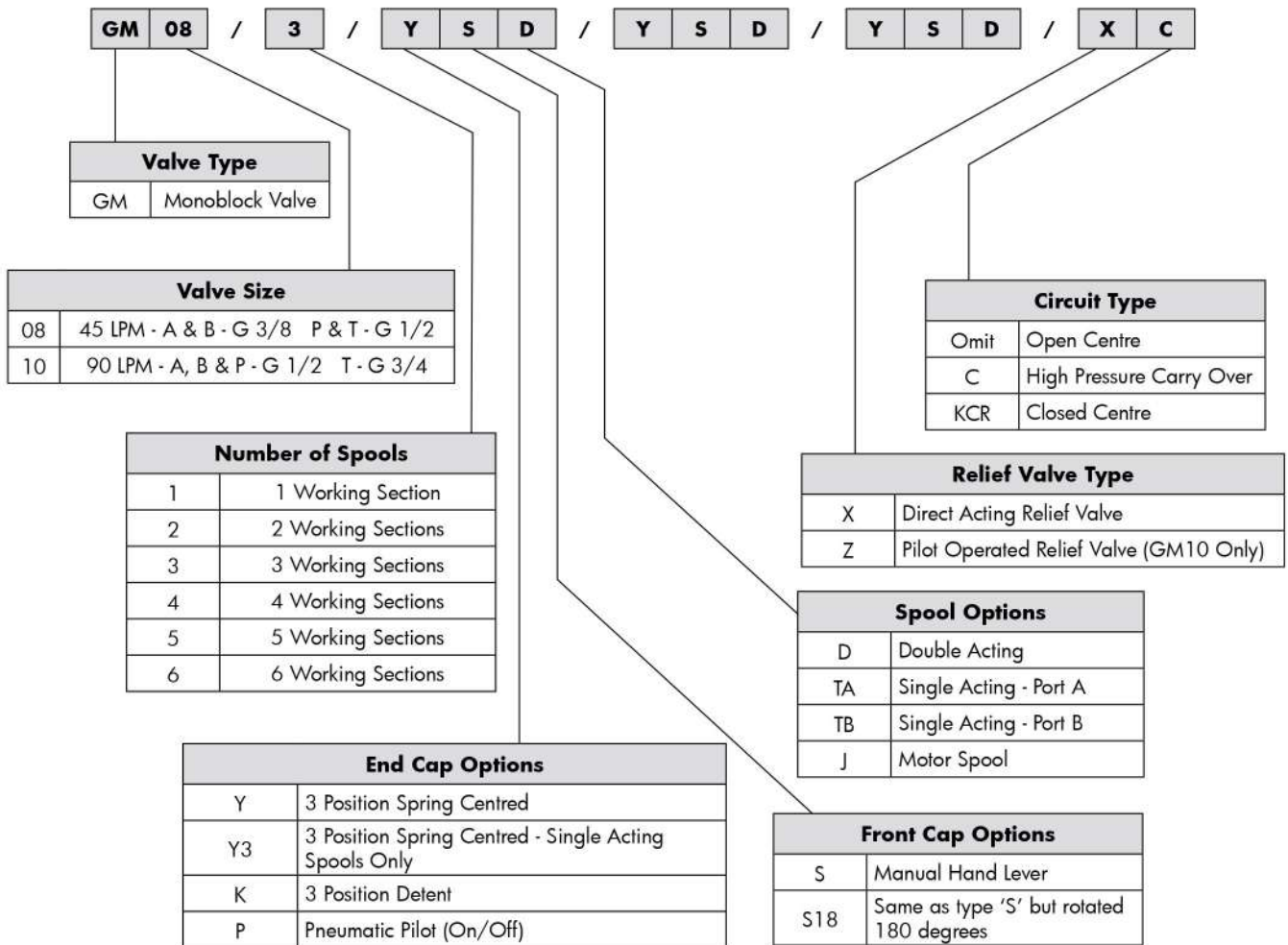


MOBILE DIRECTIONAL CONTROL VALVES

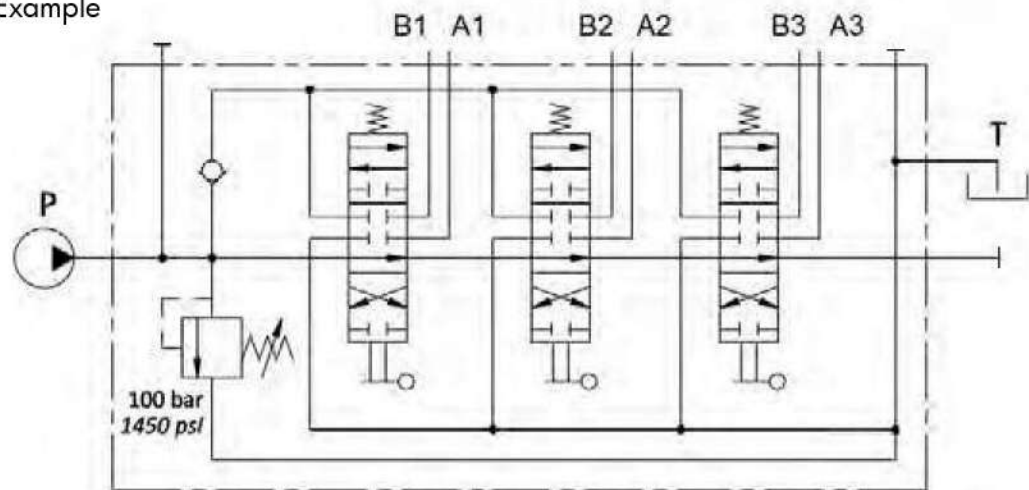


Ordering Guide - Build Code

Typical Example



Typical Circuit Example



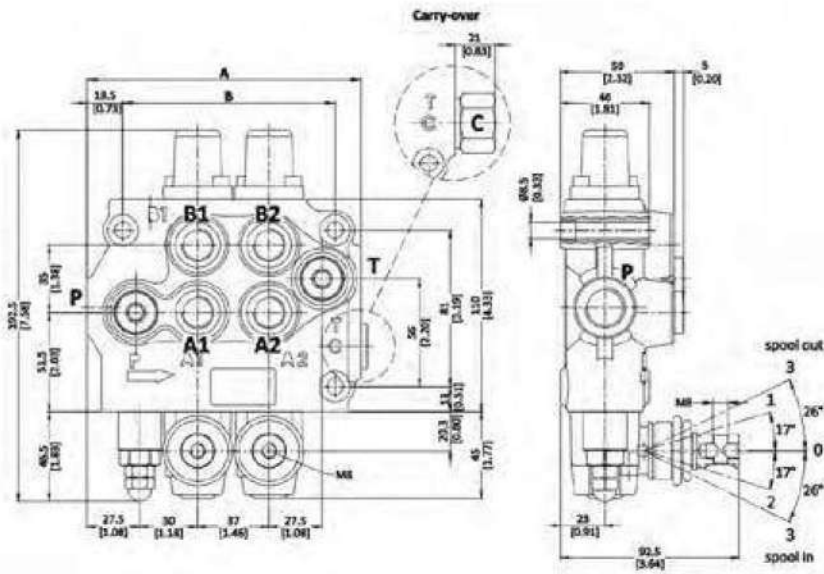
MOBILE DIRECTIONAL CONTROL VALVES



GM08

Standard Performance Monoblock Valves

Part Number	Spools	Max Flow (lpm)	Max Pressure (bar)	Ports				Weight (kg)	A (mm)	B (mm)	Price (Ex. GST)
				A	B	P	T				
GM08/1/YSD-X	1	45	350	3/8" BSP	3/8" BSP	1/2" BSP	1/2" BSP	3.1	104	73	
GM08/2/YSD-X	2	45	350	3/8" BSP	3/8" BSP	1/2" BSP	1/2" BSP	4.4	141	110	
GM08/3/YSD-X	3	45	350	3/8" BSP	3/8" BSP	1/2" BSP	1/2" BSP	5.7	178	147	
GM08/4/YSD-X	4	45	350	3/8" BSP	3/8" BSP	1/2" BSP	1/2" BSP	7.2	215	184	
GM08/5/YSD-X	5	45	350	3/8" BSP	3/8" BSP	1/2" BSP	1/2" BSP	8.7	252	221	
GM08/6/YSD-X	6	45	350	3/8" BSP	3/8" BSP	1/2" BSP	1/2" BSP	10.2	289	258	



Part Number	Description	Price (Ex. GST)
UBM 058	Double Acting Spool	
UBM 058/J	Motor Spool	
UBM 058/TA*	Single Acting Spool - Port A	
UBM 058/TB*	Single Acting Spool - Port B	
K08/K	3 Position Detent Kit	
K08/YK1	Detent Position 1	
K08/YK2	Detent Position 2	
PNOKONT-08	Pneumatic On/Off Kit	
KE08K01	Direct Acting Relief Valve	
KK07X195	Lever Handle Only	
YBM 10071	Lever Box Only	
YBM 10073	End Cap	
SM6X6MM KIT	Spring Centring Kit - Single Acting Spool	
KCR08/10	High Pressure Carry Over Plug	
KCR08/00	Closed Centre Plug	

*Note: You need to order a SM6x6MM kit for every UBM 058/TA or UBM 058/TB spool you order.

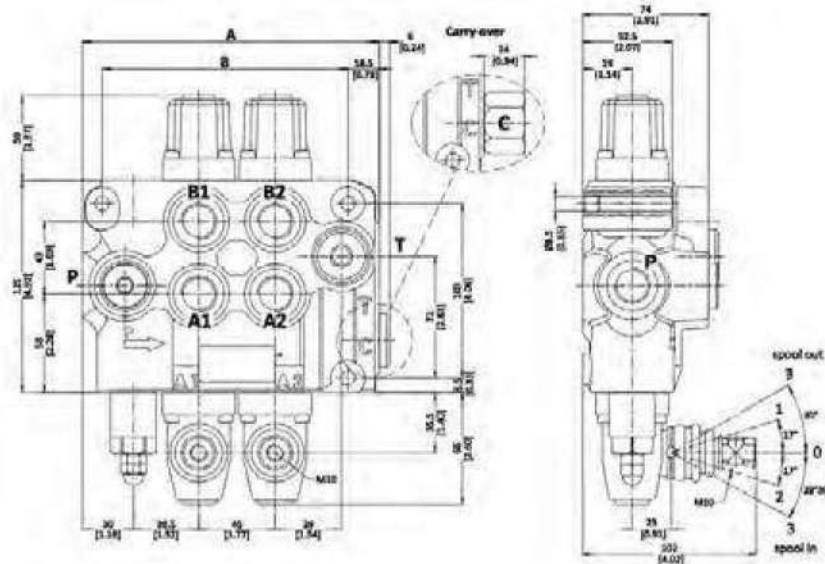
MOBILE DIRECTIONAL CONTROL VALVES



GM10

Standard Performance Monoblock Valves

Part Number	Spools	Max Flow (lpm)	Max Pressure (bar)	Ports				Weight (kg)	A (mm)	B (mm)	Price (Ex. GST)
				A	B	P	T				
GM10/1/YSD-X	1	90	350	1/2" BSP	1/2" BSP	1/2" BSP	3/4" BSP	5.8	130	100	
GM10/2/YSD-X	2	90	350	1/2" BSP	1/2" BSP	1/2" BSP	3/4" BSP	8.3	175	145	
GM10/3/YSD-X	3	90	350	1/2" BSP	1/2" BSP	1/2" BSP	3/4" BSP	10.9	220	190	
GM10/4/YSD-X	4	90	350	1/2" BSP	1/2" BSP	1/2" BSP	3/4" BSP	13.4	265	235	
GM10/5/YSD-X	5	90	350	1/2" BSP	1/2" BSP	1/2" BSP	3/4" BSP	16.5	310	280	
GM10/6/YSD-X	6	90	350	1/2" BSP	1/2" BSP	1/2" BSP	3/4" BSP	19.2	355	325	



Part Number	Description	Price (Ex. GST)
UBM 059	Double Acting Spool	
UBM 059/J	Motor Spool	
UBM 059/TA*	Single Acting Spool - Port A	
UBM 059/TB*	Single Acting Spool - Port B	
K10/K	3 Position Detent Kit	
K10/YK1	Detent Position 1	
K10/YK2	Detent Position 2	
PNOKONT-10	Pneumatic On/Off Kit	
KE10K01	Direct Acting Relief Valve	
KE10K02	Pilot-Operated Relief Valve	
KK07X195	Lever Handle Only	
YBM I0070	Lever Box Only	
YBM I0072	End Cap	
SM8X7MM KIT	Spring Centring Kit - Single Acting Spool	
KCR16/10	High Pressure Carry Over Plug	
KCR16/00	Closed Centre Plug	
SK-GM08/1	Seal Kit	

*Note: You need to order a SM8x7MM kit for every UBM 059/TA or UBM 059/TB spool you order.

MOBILE DIRECTIONAL CONTROL VALVES



5000 Series - 75 lpm Valve

Inlet Sections

Part Number	Side Inlet	Top Inlet	Side Outlet	Top Outlet	Aux Port (refer to table Auxiliary Options)	Price (Ex. GST)
5001-A35	SAE 10	-	-	-	No	
5001-A59	-	SAE 10	-	SAE 10	Yes	
5001-A88	SAE 12	SAE 10	SAE 12	SAE 10	Yes	

Note: Inlet sections are not supplied with relief valve.

Working Sections

Description	Type	Part Number No Auxiliary Ports	List Price	Part Number With 2 x Auxiliary Ports	Part Number End Mechanism (refer to End Mechanism Options table)	Relation	Price (Ex. GST)
Cylinder Spool	Parrallel	5002-A1	\$277.00	5002-A269	B10-100	A	
Float Spool	Parrallel	5002-A10	\$499.00	5002-A522	B10-100	A	

Note: End Mechanism included on working section. Handles are not included.

Outlet Section / Turnaround

Part Number	Side Outlet	Side HPCO	Top Outlet	Top HPCO	Description	Aux Port (refer to table Auxiliary Options)	Price (Ex. GST)
5003-A1	-	-	-	-	Open Centre	No	
5003-A3	SAE 12	-	-	-	Open Centre	No	
5003-E5	-	SAE 12	-	-	Closed Centre	No	
5003-A67	-	-	SAE 10	-	Universal	Yes	
5003-A68	SAE 12	SAE 12	SAE 10	SAE 10	Universal	Yes	

Note: Universal outlet sections can be open centre, closed centre or HPCO (High Pressure Carry Over) (power beyond).

Lever Assembly

Description	Handle S/A	List Price	Boot Seal	Price (Ex. GST)
Vertical	52250-1	\$179	51662	
Horizontal	52250-12	\$179	52348	
45 degree	52250-14	\$179	51662	

Tie Rod Kit

Number of Working Sections	Part Number	Price (Ex. GST)
1	6131-1	
2	6131-2	
3	6131-3	
4	6131-4	
5	6131-5	
6	6131-6	
7	6131-7	
8	6131-8	
9	6131-9	

End Mechanism Options

Description	Part Number	Relation	Price (Ex. GST)
Spring Centring Kit	B10-100	A	
Detent Kit	B11-100	A	
Float Spool Kit	B11-105	B	
Hydraulic Pilot	B12-108	A	

Seal Kit (1 per section)

Description	Part Number	Price (Ex. GST)
Seal Kit	SK5000	

Auxiliary Options

Description	Part Number	Pressure Range	Price (Ex. GST)
Pilot Operated Relief Valve	5060-P	1500 - 3500 PSI	
Direct Acting Relief Valve	52710-J	1500 - 3500 PSI	
Auxiliary Plug	52610	-	

MOBILE DIRECTIONAL CONTROL VALVES



6000 Series - 132 lpm Valve

Inlet Sections

Part Number	Side Inlet	Top Inlet	Side Outlet	Top Outlet	Aux Port (refer to table Auxiliary Options)	Price (Ex. GST)
6001-D100	-	SAE 12	-	SAE 16	Yes	
6001-D102	SAE 16	SAE 12	SAE 16	SAE 16	Yes	

Note: Inlet sections are not supplied with relief valve.

Working Sections

Description	Type	Part Number Without Auxiliary Ports	List Price	Part Number With 2 x Auxiliary Ports	Part Number End Mechanism (refer to End Mechanism Options table)	Relation	Price (Ex. GST)
Cylinder Spool	Parallel	6002-J433	\$1,223.00	6002-J387	D10-200	A	
Float Spool	Parallel	6002-J154	\$1,259.00	6002-J394	D10-200	A	

Note: End Mechanism included on working section. Handles are not included.

Outlet Section / Turnaround

Part Number	Side Outlet	Side HPCO	Top Outlet	Top HPCO	Description	Aux Port (refer to table Auxiliary Options)	Price (Ex. GST)
6003-E2	SAE 16	-	-	-	Open Centre	No	
6003-K3	-	SAE 16	-	-	Closed Centre	No	

Note: Universal outlet sections can be open centre, closed centre or HPCO (High Pressure Carry Over) (power beyond).

Lever Assembly

Part Number	Price (Ex. GST)
6105-A	

Tie Rod Kit

Number of Working Sections	Part Number	Price (Ex. GST)
1	6246-41	
2	6246-42	
3	6246-43	

Note: More Tie Rod Kits available on request.
(up to 9 working sections)

End Mechanism Options

Description	Part Number	Relation	Price (Ex. GST)
Spring Centring Kit	D10-200	A	
Detent Kit	D11-100	A	

Seal Kit (1 per section)

Description	Part Number	Price (Ex. GST)
Seal Kit	SK6000	

Auxiliary Options

Description	Part Number	Pressure Range	Price (Ex. GST)
Pilot Operated Relief Valve	51055-2	700 - 6000 PSI	
Auxiliary Plug	52810	-	

MOBILE DIRECTIONAL CONTROL VALVES



D6 1/2

6 Port Manual Selector Valve

Ports	Max Flow	Max Pressure	B (mm)	C (mm)	D (mm)	E (mm)	F (mm)	G (mm)	H (mm)	L (mm)	M (mm)	Weight (kg)	Type	Price (Ex. GST)
1/2" BSP	90LPM	350 Bar	80	32	8.5	36	86	24	124	115	161	2.3	Open Centre	



MOBILE DIRECTIONAL CONTROL VALVES



Hidros Solenoid Selector Valves

DVS6 Series - 50 lpm

Part Number	Description	Coil Voltage	Nominal (lpm)	Max Pressure (bar)	Ports	Price (Ex. GST)
DVS6-L12DC-G38-02	6 Port Selector Valve	12VDC	50	315	3/8" BSP	
DVS6-L24DC-G38-02	6 Port Selector Valve	24VDC	50	315	3/8" BSP	

Spares

Part Number	Description	Coil Voltage	Price (Ex. GST)
DVS.COIL/12VDC	Coil to suit DVS6 Valve	12VDC	
DVS.COIL/24VDC	Coil to suit DVS6 Valve	24VDC	

SVV Series - 90 lpm

Part Number	Description	Coil Voltage	Nominal (lpm)	Max Pressure (bar)	Ports	Price (Ex. GST)
SVV-90-G-12V	6 Port Selector Valve	12VDC	90	280	1/2" BSP	
SVV-90-G-24V	6 Port Selector Valve	24VDC	90	280	1/2" BSP	

Spares

Part Number	Description	Coil Voltage	Price (Ex. GST)
SVV90.COIL/12VDC	Coil to Suit SVV90 Valve	12VDC	
SVV90.COIL/24VDC	Coil to Suit SVV90 Valve	24VDC	