

CATFORD

Jamestown

SA 5491

ENGINEERING PRODUCTS

All Prices Excluding GST

Phone: 0418 641 566

www.catford.com.au sales@catford.com.au

MP FILTRI FILTRATION



Please call or email for prices and availability.

CATFORD ENGINEERING PRODUCTS

**Jamestown
SA 5491**



Make	Model	Page
MP Filtri	Breathers	122
MP Filtri	Suction Filters	125
MP Filtri	Spin-On filters	128
MP Filtri	Tank Mounted Filters	134
MP Filtri	In-Line Return Filters	140
MP Filtri	Pressure Filters	144
MP Filtri	CETOP Mount Filters	152
MP Filtri	Indicators	154
MP Filtri	Will Fit Elements	158

**Due to fluctuations in the Australian dollar and the economic climate, please be advised that all prices are subject to change.
Please contact us to confirm pricing.**

Charles:

Mobile 0418 641 566

Email sales@catford.com.au

Web www.catford.com.au



MP FILTRI FILTRATION



Breathers

SCS-050/100 Series

Standpipe Technical Specifications

Part Number	Flow rate (lpm)	Port Size	Price (Ex. GST)
SCS050FG1	550	G1 = 3/4 BSP	
SCS050FG2	550	G2 = 1" UNF	
SCS100FG2	1415	G2 = 1-1/2" UNF	

Spin-On Can Technical Specifications

Part Number	Flow Rate (lpm)	Element Type	Suits Filter Housings	Price (Ex. GST)
CG050A03A	515	3u ABS Microfibre	SCS050FG2	
CG050P10A	550	10u Nom Paper	SCS050FG2	
CS050A03A	515	3u ABS Microfibre	SCS050FG1	
CS050A10A	530	10u ABS Microfibre	SCS050FG1	
CS050P10A	550	10u Nom Paper	SCS050FG1	
CG100A03A	1300	3u ABS Microfibre	SCS100FG2	
CG100P10A	1415	10u Nom Paper	SCS100FG2	

Features

- Removes airborne and environmental contamination.
- Cost effective breather systems.
- Flange mounted standpipe utilises replaceable Spin-On Cans for quick and easy replacement.

Applications

- All hydraulic systems in contaminated areas.

Performance

Flow Rating	Up to 1415 lpm
Temperature Range	- 25 C to + 110 C
Filtration	3 or 10 micron
Construction	Steel
Fluid Compatibility	Mineral & synthetic oils, water based emulsions

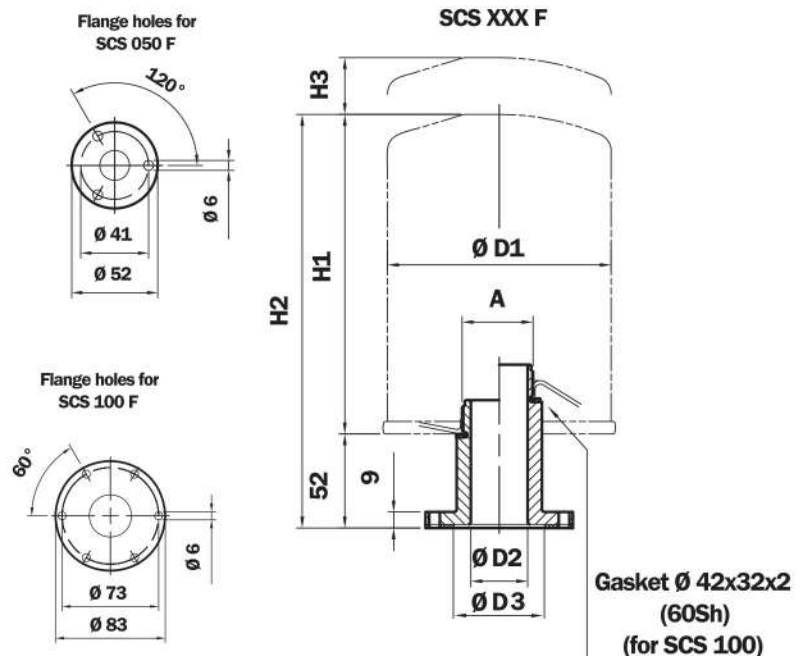
Dimensions

Dimensions SCS - CS - CG

Type	D1 (mm)	H1 (mm)	H2 (mm)	Weight (kg)
CS/CG050	96	143	195	0.7
CG100	129	180	232	1.3

Dimensions SCS Riser

Type	A (mm)	D2 (mm)	D3 (mm)	Weight (kg)
SCS050...G1	G 3/4"	18	32	0.20
SCS050...G2	1" 12 UN	18	32	0.27
SCS100...G1	1-1/2" 16 UN	18	32	0.65





Breathers

SAP-115 Series

Filter Technical Specifications

Part Number	Flow Rate (lpm)	Thread	Seals	Options	Indicator	Price (Ex. GST)
SAP1152CA03A1B	3000	G 1-1/2"	A = Buna	1 = Anti slosh feature	B = Visual indicator	

Element Technical Specifications

Part Number	Micron	Element Media	Price (Ex. GST)
A1152A03	3	A = Inorganic Microfibre	

Features

- Removes airborne and environmental contamination.
- Replaceable 3 micron absolute rated element.
- Anti-slosh feature stops oil from being forced out of the breather in high flow systems or in the event of surges of oil back to the reservoir.
- Built in pop-up style clogging indicator provides visual indication of when to change element.

Applications

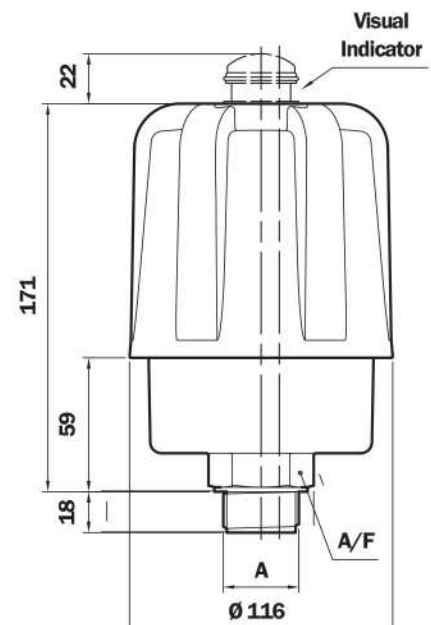
- High flow hydraulic systems in heavily contaminated areas.

Performance

Flow Rating	3000 lpm
Temperature Range	- 25 C to + 110 C
Filtration	3 micron
Construction	Nylon
Fluid Compatibility	Mineral & synthetic oils, water based emulsions
Indicators	Built in Indicator Set pressure = 0.062 bar

Dimensions

A	A/F (mm)
G 1-1/2"	55



MP FILTRI FILTRATION



Breathers

TAP-115 Series

Filter Technical Specifications

Part Number	Flow Rate (lpm)	PCD	Seals	Options	Indicator	Price (Ex. GST)
TAP1152FA03A1B	2150	6 Holes on 73mm PCD	A = Buna	1 = Anti slosh feature	B = Visual indicator	

Element Technical Specifications

Part Number	Micron	Element Media	Price (Ex. GST)
A1152A03	3	A = Inorganic Microfibre	

Features

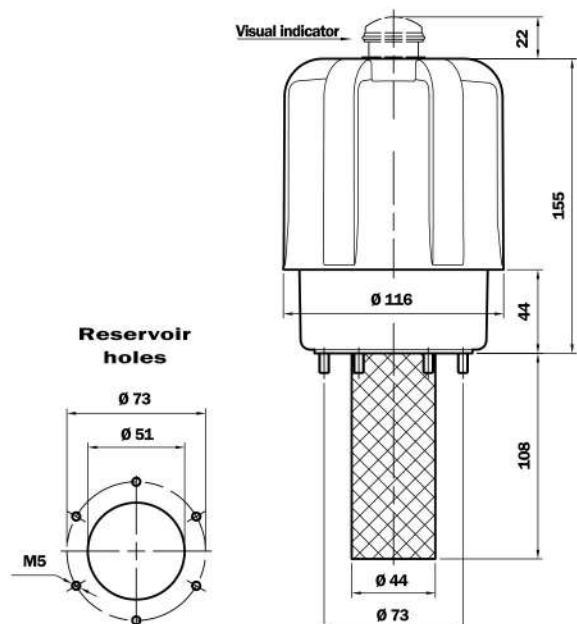
- Removes airborne and environmental contamination.
- Replaceable 3 micron absolute rated element.
- Anti-slosh feature stops oil from being forced out of the breather in high flow systems or in the event of surges of oil back to the reservoir.
- Built in pop-up style clogging indicator provides visual indication of when to change element.

Applications

- High flow hydraulic systems in heavily contaminated areas.

Performance

Flow Rating	2150 lpm
Temperature Range	- 25 C to + 110 C
Filtration	3 micron
Construction	Nylon
Fluid Compatibility	Mineral & synthetic oils, water based emulsions
Indicators	Built in Indicator Set pressure = 0.062 bar





Suction Filters

STR Series



Filter Technical Specifications

Part Number	Port Size	Micron Rating	Flow Rate (lpm)	Weight (kg)	Price (Ex. GST)
STR0502SG1M90	3/8" BSP	90	24	0.16	
STR0701SG1M90	1/2" BSP	90	32	0.22	
STR0702SG1M90	3/4" BSP	90	75	0.22	
STR0704SG1M90	1" BSP	90	150	0.3	
STR1001SG1M90	1-1/4" BSP	90	180	0.47	
STR1003SG1M90	1-1/2" BSP	90	250	0.68	
STR1004SG1M90	2" BSP	90	490	0.68	
STR1005SG1M90	1-1/2" BSP	90	250	0.47	
STR1401SG1M90	1-1/2" BSP	90	250	0.84	
STR1402SG1M90	2" BSP	90	490	0.84	
STR1403SG1M90	2" BSP	90	490	1.25	
STR1404SG1M90	2-1/2" BSP	90	860	1.25	
STR1405SG1M90	3" BSP	90	900	1.25	
STR1406SG1M90	3" BSP	90	900	1.3	

Features

- Cleanable wire mesh.
- Economically priced industry standard suction strainer.

Applications

- Used in the suction line and submerged in the reservoir.
- Suitable for applications where it is necessary to protect pumps.

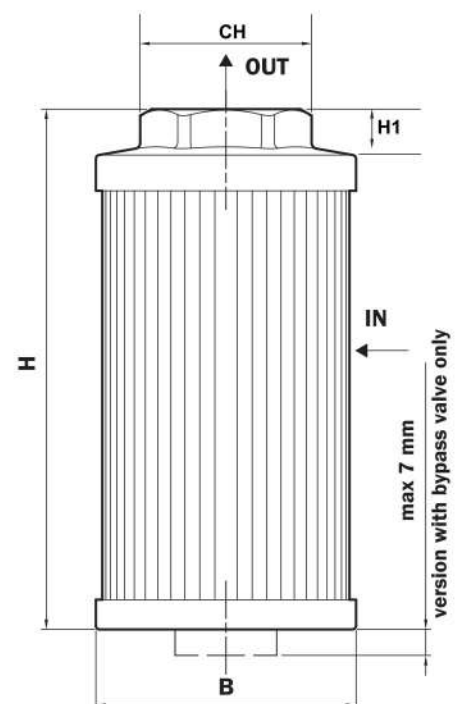
Performance

Flow Rating	Up to 900 lpm
Bypass Pressure	30 kpa +/- 10%
Temperature Range	- 25 C to + 110 C
Filtration	90 micron
Construction	Nylon Caps
Filter Media	Wire Mesh

Dimensions

Part Number	B (mm)	H (mm)	H1 (mm)	CH (mm)
STR0502SG1M90	52	79	10	30
STR0701SG1M90	70	95	10	41
STR0702SG1M90	70	95	10	41
STR0704SG1M90	70	141	10	41
STR1001SG1M90	99	137	15	69
STR1003SG1M90	99	227	15	69
STR1004SG1M90	99	227	15	69
STR1005SG1M90	99	137	15	69
STR1401SG1M90	136	160	20	101
STR1402SG1M90	136	160	20	101
STR1403SG1M90	130	262	20	101
STR1404SG1M90	130	272	20	101
STR1405SG1M250	130	272	20	101
STR1405SG1M90	130	272	20	101
STR1406SG1M90	130	330	20	101

Note: Flow rates are based on oil with 30cst viscosity and pressure drop of filter assembly of 0.08 bar.



MP FILTRI FILTRATION



Suction Filters

SF2-250 Series



Filter Technical Specifications

Part Number	Flow Rate (lpm)	Seals	Port Size	Options	Indicator	Price (Ex. GST)
SF2250AF1QT	160	A = Buna	F1 = 1-1/2" SAE Flange	Q = W/O bypass, with magnet	T = Plug	
SF2250AG1QT	160	A = Buna	G1 = 1-1/2" BSP	Q = W/O bypass, with magnet	T = Plug	

Element Technical Specifications

Part Number	Micron	Element Media	Seals	Price (Ex. GST)
SF250M90N	90	M = Wire Mesh	N = Buna	

Note: Flow rates are based on oil with 30cst viscosity and pressure drop of filter assembly of 0.08 bar.

Features

- Semi-submerged positive head suction filter.
- New design allows the filter element to be replaced without having to drain the oil from the reservoir.
- Unscrewing the filter cover operates a closing valve within the filter to prevent oil loss.
- Integral magnet column helps prevent metal particles from entering the pump.

- Accepts either visual or electrical clogging indicators.

Applications

- Suitable for mobile and industrial machinery.
- Any hydraulic system where pump protection is required i.e. Hydrostatic circuits.

Dimensions

Flange Connections

Type	Port Size	D (mm)
SF2250AF1QT	1-1/2 SAE - 3000 PSI/M	M12

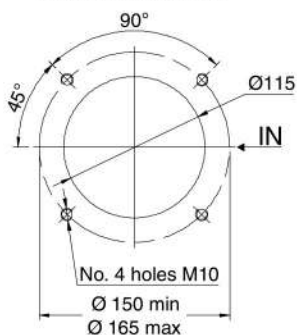
Thread Connections

Type	Port Size
SF2250AG1QT	G 1-1/2"

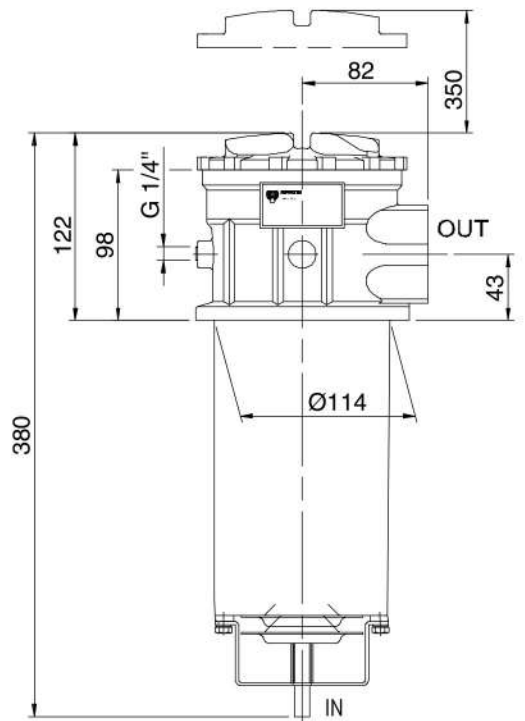
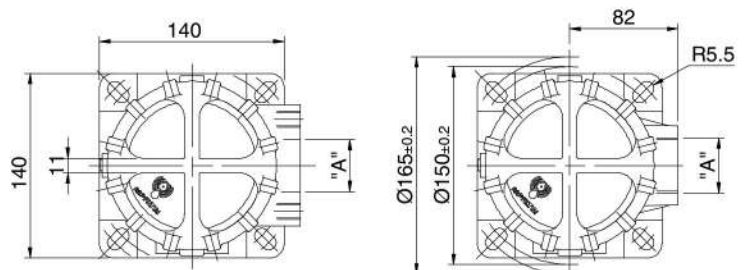
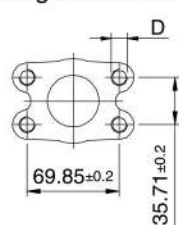
Performance

Flow Rating	Up to 160 lpm
Bypass Pressure	30 kpa +/- 10%
Temperature Range	- 25 C to + 110 C
Filtration	90 micron
Construction	Aluminium
Fluid Compatibility	Mineral & synthetic oils, water based emulsions
Indicators	V, VO & E1

Holes on the tank



Flange connections





Suction Filters SF2-500 Series



Filter Technical Specifications

Part Number	Flow Rate (lpm)	Filter Media	Port Size	Options	Indicator	Price (Ex. GST)
SF2503AF1KT1	400 - 480	A = Buna	F1 = 3" SAE Flange	K = With microswitch and with steel hand wheel	T1 = Plug	
SF2504AF1KT1	550 - 650	A = Buna	F1 = 4" SAE Flange	K = With microswitch and with steel hand wheel	T1 = Plug	

Element Technical Specifications

Part Number	Flow Rate (lpm)	Micron	Element Media	Suits Filter	Price (Ex. GST)
SF503M90	480	90	M = Wire Mesh	SF2-503	
SF504M90	650	90	M = Wire Mesh	SF2-504	
SF505M90	250	90	M = Wire Mesh	SF2-505	
SF510M90	280	90	M = Wire Mesh	SF2-500, 501 & 510	
SF540M90	800	90	M = Wire Mesh	SF2-540	



SF2-510 application

Note: Flow rates are based on oil with 30cst viscosity and pressure drop of filter assembly of 0.08 bar.

Features

- Semi-submerged positive head suction filter.
- Steel hand wheel operates closing valve preventing oil loss from reservoir during maintenance.
- The anti-start safety switch prevents accidental start up if closing valve is closed.

- Accepts either visual or electrical clogging indicators.

Applications

- Suitable for industrial applications. ie. Die casting and plastic injection machinery and hydrostatic systems.

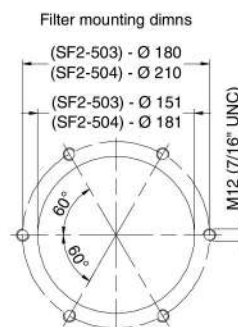
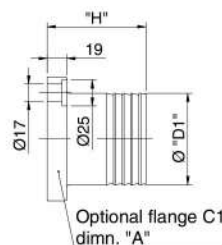
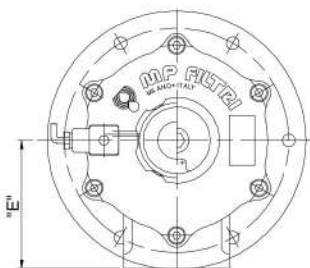
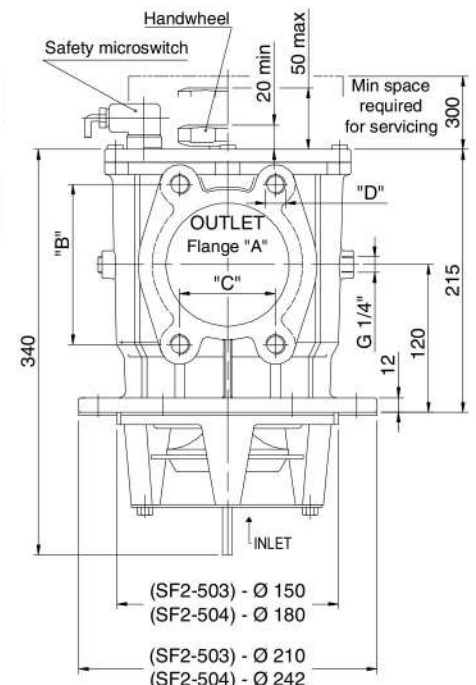
Performance

Flow Rating	Up to 850 lpm
Temperature Range	- 25 C to + 110 C
Filtration	90 micron
Construction	Aluminium
Fluid Compatibility	Mineral & synthetic oils, water based emulsions
Indicators	V, V0 & E1

Dimensions

Flange Connections

Type	"A" connection	B (mm)	C (mm)	D (mm)	D1 (mm)	E (mm)	H (mm)
SF2503AF1KT1	3" SAE - 3000 PSI/M	106.38	61.93	M 16	89	110	95
SF2504AF1KT1	4" SAE - 3000 PSI/M	130.18	77.77	M 16	114	120	100



MP FILTRI FILTRATION



Spin-On Filters

MPS Series

Filter Technical Specifications

Part Number	Flow Rate (lpm)	Bypass (bar)	Options	Port Size	Post Size	Indicator	Price (Ex. GST)
MPS050RG1T	40 - 65	1.75	W / Bypass & 4 indicator ports	3/4" BSP	3/4" BSP	T = Plug (std)	
MPS050RG1T	40 - 65	1.75	W / Bypass & indicator port on RETURN	3/4" BSP	3/4" BSP		
MPS050RU1T	40 - 65	1.75	W / Bypass & indicator port on RETURN	3/4" BSP	1" UNF		
MPS050SG1T	9-24	0.3	W / Bypass & indicator port on SUCTION	3/4" BSP	3/4" BSP		
MPS050SU1T	9-24	0.3	W / Bypass & indicator port on SUCTION	3/4" BSP	1" UNF		
MPS071RG1T	45-68	1.75	W / Bypass & indicator port on RETURN	3/4" BSP	3/4" BSP		
MPS100RG1T	75-160	1.75	W / Bypass & 4 indicator ports	1-1/4" BSP	1-1/4" BSP & 1-1/2" UNF Dual Post		
MPS100RG1T	75-160	1.75	W / Bypass & indicator port on RETURN	1-1/4" BSP			
MPS100SG1T	16-65	0.3	W / Bypass & indicator port on SUCTION	1-1/4" BSP			
MPS101RG1T	75-160	1.75	W / Bypass & indicator port on RETURN	1-1/4" BSP			
MPS151RG1T	85-160	1.75	W / Bypass & indicator port on RETURN	1-1/4" BSP			
MPS200UG1T	130-290	1.75	Without Bypass & 4 indicator ports	1-1/2" BSP			
MPS200RG1T	130-290	1.75	W / Bypass & indicator port on RETURN	1-1/2" BSP			
MPS200SG1T	30-120	0.3	W / Bypass & indicator port on SUCTION	1-1/2" BSP			
MPS300RG1T	130-290	1.75	W / Bypass & indicator port on RETURN	1-1/2" BSP			
MPS300SG1T	30-120	0.3	W / Bypass & indicator port on SUCTION	1-1/2" BSP			

Note: Where possible, THW will supply filters using current part numbers until stocks have been depleted. THW will then supply filters utilising new part numbers on all subsequent orders received.

Element Technical Specifications

Part Number	Flow Rate - Return (lpm)	Flow Rate - Suction (lpm)	Element type	Suits Filter housings	Price (Ex. GST)
CG050A03A	40	9	3u ABS Microfibre	MPS050RU1T MPS050SU1T	
CG050P10A	55	16	10u Nom Paper	MPS050RU1T MPS050SU1T	
CG050P25A	65	18	25u Nom Paper	MPS050RU1T MPS050SU1T	
CG070P10A	58	18	10u Nom Paper	MPS071RG1T	
CG070P25A	68	20	25u Nom Paper	MPS071RG1T	
CG100A03A	75	16	3u ABS Microfibre	MPS 100, 150, 200 & 300	
CG100P10A	130	35	10u Nom Paper	MPS 100, 150, 200 & 300	
CG100P25A	160	50	25u Nom Paper	MPS 100, 150, 200 & 300	
CG150M90A	N/A	68	90u NOM wire Mesh	MPS 100, 150, 200 & 300	
CG150P10A	150	40	10u Nom Paper	MPS 100, 150, 200 & 300	
CG150P25A	195	45	25u Nom Paper	MPS 100, 150, 200 & 300	

Features

- In-line mounted Spin-On filter system designed for both return and suction applications.
- The MPS-100, 150, 200 & 300 series have a dual threaded post allowing these filters to accept both European "CS" and American "CG" standard Spin-On Cans.
- MP Filtri Spin-On Cans are interchangeable with most other manufacturers Spin-On housings.
- Spin-On Cans are available in a number of sizes and micron ratings

including the "CW" type water removal cans.

- Aluminium body, Nylon bypass, and brass indicators.

Applications

- Designed for contamination control in hydraulic and lubrication circuits.
- Suitable for mobile, agricultural, industrial and machine tool systems.

Performance

Flow Rating	Up to 300 lpm
Max. Working Pressure	12 bar
Temperature Range	- 25 C to + 110 C
Filtration	3, 10, 25, 60 and 90 micron
Construction	Aluminium
Fluid Compatibility	Mineral & synthetic oils, water based emulsions
Indicators	VS, VR, EC, ER, 1V, V6, 1E, Z1
Bypass Pressure	1.75 bar +/- 10% Return 0.3 bar +/- 10% Suction



Spin-On Filters

MPS Series (continued)



Element Technical Specifications (continued)

Part Number	Flow Rate - Return (lpm)	Flow Rate - Suction (lpm)	Element type	Suits Filter housings	Price (Ex. GST)
CS050A03A	40	9	3u ABS Microfibre	MPS050RG1T MPS050CG1T MPS050SG1T	
CS050A10A	48	14	10u ABS Microfibre	MPS050RG1T MPS050CG1T MPS050SG1T	
CS050P10A	55	16	10u Nom Paper	MPS050RG1T MPS050CG1T MPS050SG1T	
CS050P25A	65	18	25u Nom Paper	MPS050RG1T MPS050CG1T MPS050SG1T	
CS100A10A	110	25	10u ABS Microfibre	MPS 100, 150, 200 & 300	
CS100M90A	N/A	65	90u NOM wire Mesh	MPS 100, 150, 200 & 300	
CS100P10A	130	35	10u Nom Paper	MPS 100, 150, 200 & 300	
CS100P25A	160	50	25u Nom Paper	MPS 100, 150, 200 & 300	
CS150M60A	N/A	68	60u NOM wire Mesh	MPS 100, 150, 200 & 300	
CS150M90A	N/A	68	90u NOM wire Mesh	MPS 100, 150, 200 & 300	
CS150P10A	150	40	10u Nom Paper	MPS 100, 150, 200 & 300	
CW050P10A	55	N/A	10u Nom Paper	MPS050RU1T	
CW150P10A	150	N/A	10u Nom Paper	MPS 100, 150, 200 & 300	

Note: Flow rates are based on oil with 30cst viscosity and pressure drop of filter assembly of 0.4 bar for return filters and 8 Kpa for suction filters.

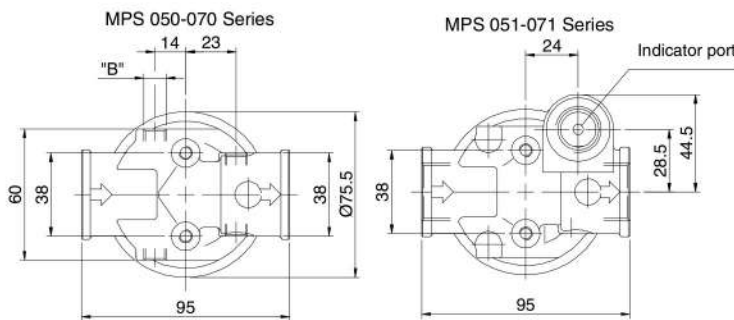
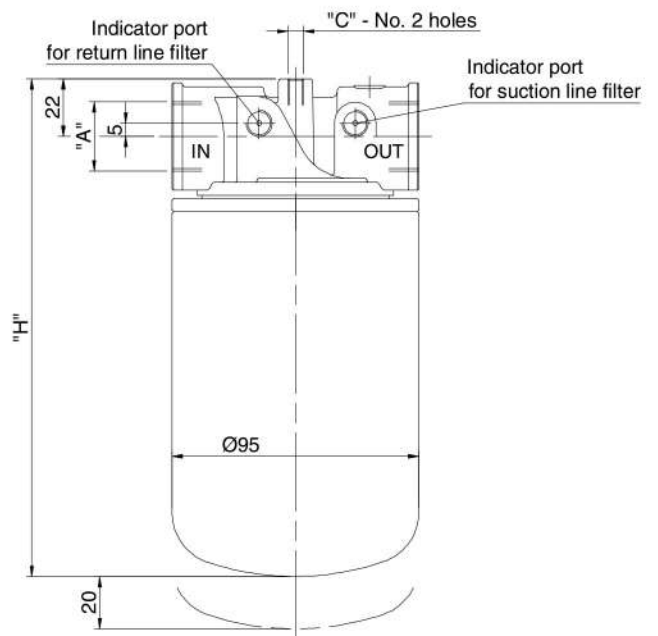
Dimensions - MPS 050 / 070

Filter Lengths

Type	H (mm)
MPS 050 / 051	193
MPS 070 / 071	257

Thread Connections

For CS type	For CG type	Port Size	"B"	"C"
G1	U1	G 3/4"	G 1/8"	M6



MP FILTRI FILTRATION



Spin-On Filters

MPS Series (continued)

Dimensions - MPS 100-150

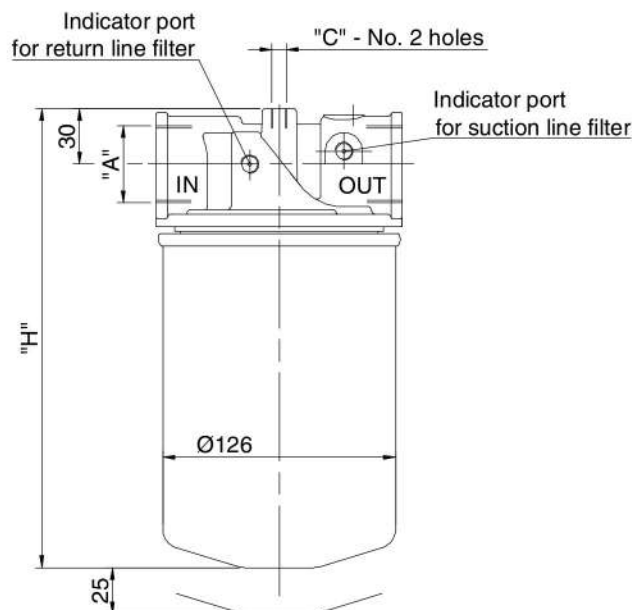
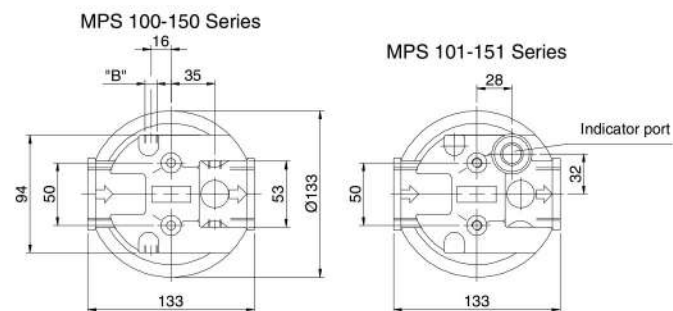


Filter Lengths

Type	H (mm)
MPS 100	251
MPS 150 / 151	296

Thread Connections

For CS type	"A" Connection (inches)	"B"	"C"
G1	G 1-1/4"	G 1/8"	M8



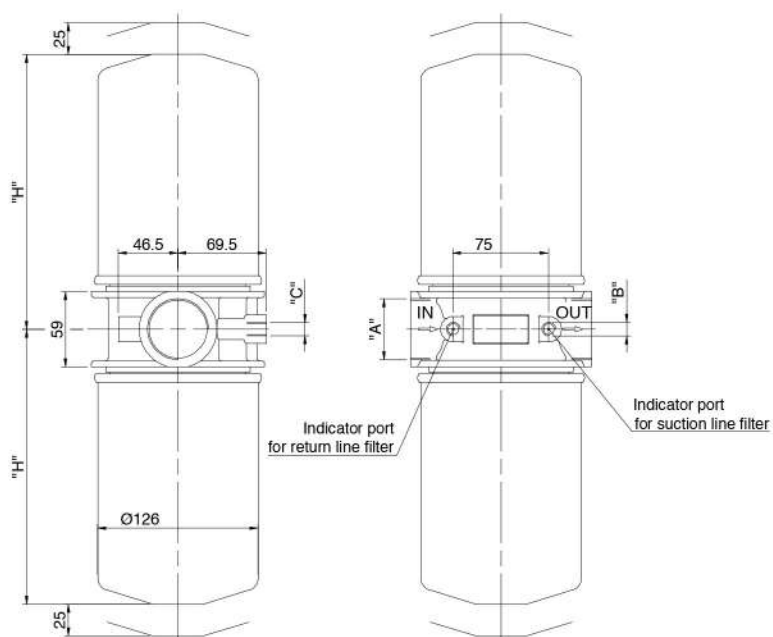
Dimensions - MPS 200

Filter Lengths

Type	H (mm)
MPS 200	216

Thread Connections

For CS type	"A" Connection	"B"	"C"
G1	G 1-1/2"	G 1/8"	M10





Spin-On Filters

MPS Series (continued)

Dimensions - MPS 300

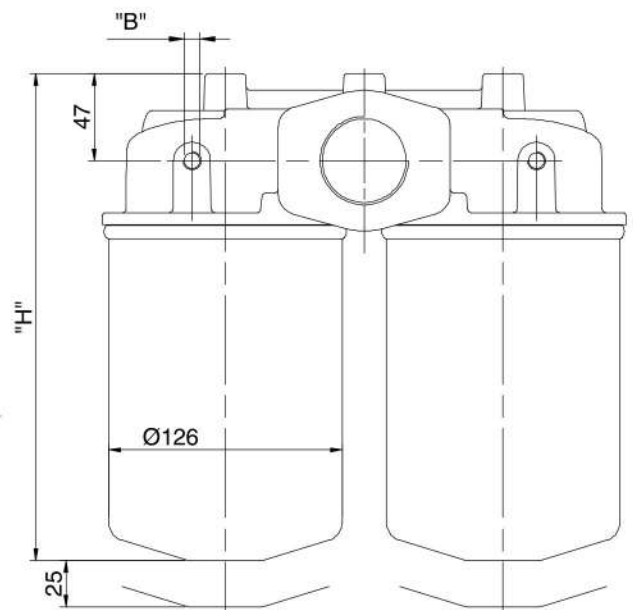
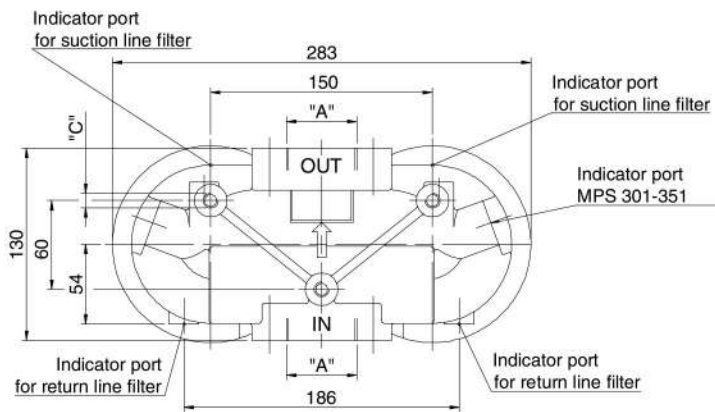


Filter Lengths

Type	H (mm)
MPS 300	265

Thread Connections

For CS type	"A" Connection	"B"	"C"
G1	G 1-1/2"	G 1/8"	M10



Filter Element Series



Thread Connections

Type	A
CS 050-070	3/4" BSP
CS 100-150	1-1/4" BSP

Thread Connections

Type	A
CG 050-070	1" 12 UN
CG 100-150	1-1/2" - 16 UN

Thread Connections

Type	A
CW 050	1" 12 UN
CS 150	1-1/2" - 16 UN

MP FILTRI FILTRATION



High Pressure Spin-On Filters

MSH Series

Filter Technical Specifications

Part Number	Flow Rate (lpm)	Bypass (bar)	Seals	Port Size	Post Size	Indicator	Price (Ex. GST)
MSH050BAG1T2	44 - 120	2.5	A = Buna	G1 = 1" BSP	3/4" BSP	T = Plug (std)	
MSH100BAG1T2	110 - 250	2.5	A = Buna	G1 = 1-1/2" BSP	3/4" BSP	T = Plug (std)	

Element Technical Specifications

Part Number	Flow Rate (lpm)	Element Type	Suits Filter Housing	Price (Ex. GST)
CH050A10A	70	10u ABS Microfibre	MSH050BAG1T2	
CH050A25A	100	25u ABS Microfibre	MSH050BAG1T2	
CH100A10A	158	10u ABS Microfibre	MSH100BAG1T2	
CH150A10A	175	10u ABS Microfibre	MSH100BAG1T2	
CH150P10A	218	10u Nom Paper	MSH100BAG1T2	

Note: Flow rates are based on oil with 30cst viscosity and pressure drop of filter assembly of 0.6 bar.

Features

- Compact design and quality construction.
- The high efficiency "CH" canisters are of seamless construction with a Beta rating of 200.
- Unique sealing system ensures the filter will withstand medium pressures up to 50 bar.
- Aluminium body, nylon bypass valve and brass indicators.

Applications

- Ideal for use in servo-assisted hydrostatic transmissions where the servo line requires high performance filtration at medium working pressures.
- Suitable for mobile, industrial and agricultural equipment.
- Ideal for use on supercharging or auxiliary low pressure lines.

Performance

Flow Rating	Up to 250 lpm
Max. Working Pressure	35 bar
Temperature Range	- 25 C to + 110 C
Filtration	10 and 25 micron
Construction	Aluminium
Fluid Compatibility	Mineral & synthetic oils, water based emulsions
Indicators	Differential
Bypass Pressure	2.5 bar +/- 10%

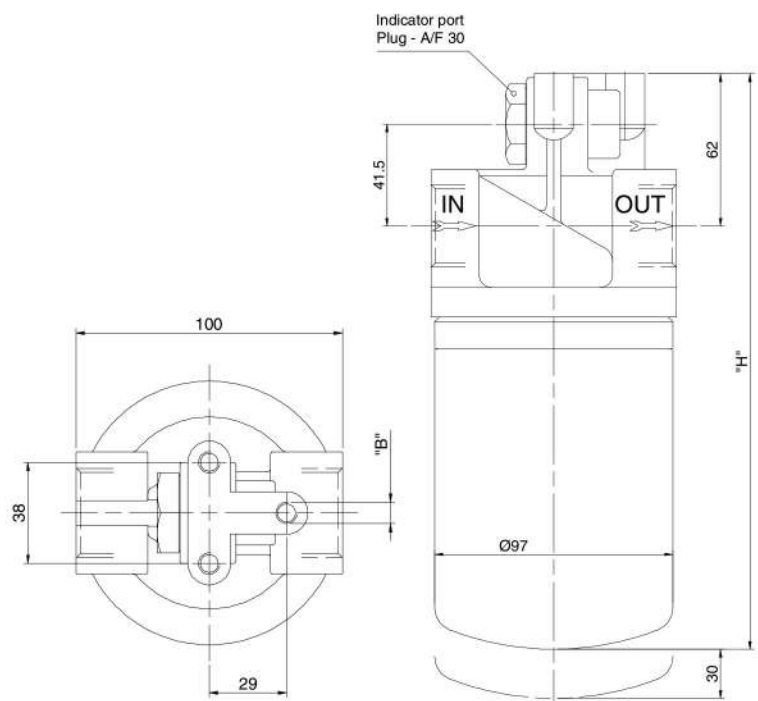
Dimensions - MSH 050

Filter Lengths

Type	H (mm)
MSH 050	236

Thread Connections

Type	"A" Connection	"B"
G1	G 1"	M8





High Pressure Spin-On Filters MSH Series (continued)



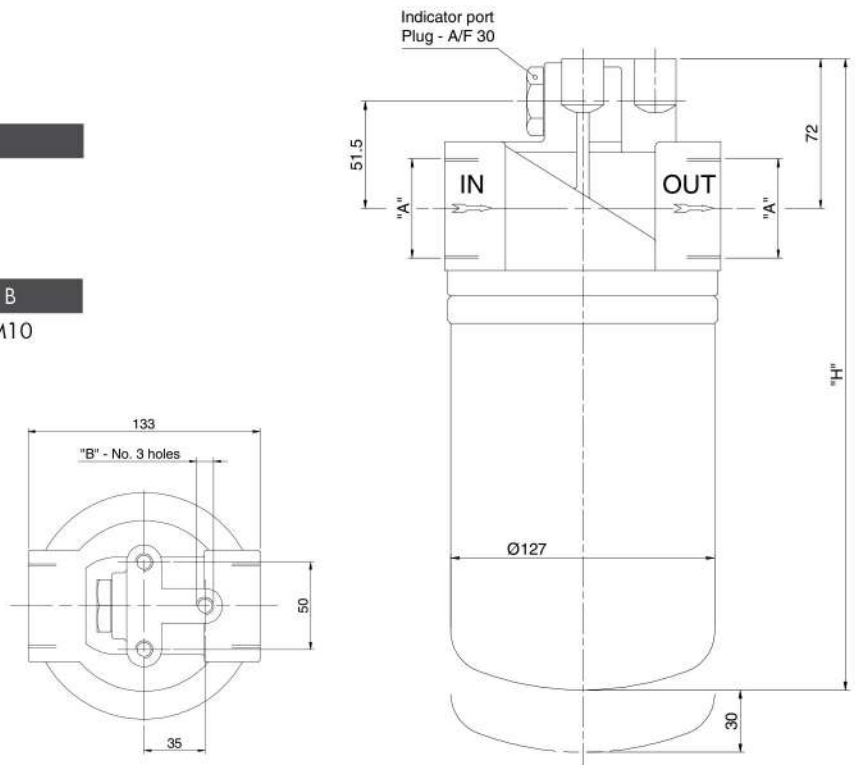
Dimensions - MSH 100

Filter Lengths

Type	H (mm)
MSH-100	306

Thread Connections

Type	"A" Connection	B
G1	G 1-1/2"	M10



MP FILTRI FILTRATION



Tank Mounted Filters

MPF Series



Filter Technical Specifications

Part Number	Flow Rate (lpm)	Mount Type	Seals	Port size	Options	Indicator	Price (Ex. GST)
MPF0301AG1BT	10-33	2 bolt	A = BUNA	G1 = 1/2" BSP	B = Bypass 1.75 bar	T = Plug	
MPF1001AG1BT	28-75	2 bolt	A = BUNA	G1 = 1/2" BSP	B = Bypass 1.75 bar	T = Plug	
MPF1001AG2BT	28-75	2 bolt	A = BUNA	G2 = 3/4" BSP	B = Bypass 1.75 bar	T = Plug	
MPF1001AG3BT	35-190	2 bolt	A = BUNA	G3 = 1" BSP	B = Bypass 1.75 bar	T = Plug	
MPF1002AG1BT	35-190	2 bolt	A = BUNA	G1 = 1/2" BSP	B = Bypass 1.75 bar	T = Plug	
MPF1002AG2BT	35-190	2 bolt	A = BUNA	G2 = 3/4" BSP	B = Bypass 1.75 bar	T = Plug	
MPF1002AG3BT	35-190	2 bolt	A = BUNA	G3 = 1" BSP	B = Bypass 1.75 bar	T = Plug	
MPF1003AG3BT	100-340	2 bolt	A = BUNA	G3 = 1" BSP	B = Bypass 1.75 bar	T = Plug	
MPF1042AG2BT	35-190	4 bolt	A = BUNA	G2 = 3/4" BSP	B = Bypass 1.75 bar	T = Plug	
MPF1042AG3BT	45-220	4 bolt	A = BUNA	G3 = 1" BSP	B = Bypass 1.75 bar	T = Plug	
MPF1811AG1BT	100-340	3 bolt	A = BUNA	G1 = 1-1/4" BSP	B = Bypass 1.75 bar	T = Plug	
MPF1841AG1BT	170-450	4 bolt	A = BUNA	G1 = 1-1/4" BSP	B = Bypass 1.75 bar	T = Plug	
MPF4002AG2BT	220-500	4 bolt	A = BUNA	G2 = 1-1/2" BSP	B = Bypass 1.75 bar	T = Plug	
MPF4003AG3BT	250 - 800	4 bolt	A = BUNA	G3 = 2" BSP	B = Bypass 1.75 bar	T = Plug	

Features

- Tank mounted semi-immersed return filter.
- Available in 2, 3 and 4 bolt fixing design.
- High flow rate bypass valve as standard.
- High filtration efficiency.
- Accepts a number of visual and electrical switch type indicators.

Applications

- Specifically designed for mobile applications, agricultural machinery and power units.
- Industrial applications, including die casting, plastic injection machinery and hydrostatic systems.

Performance

Flow Rating	Up to 500 lpm
Max. Working Pressure	8 bar
Temperature Range	- 25 C to + 110 C
Filtration	10, and 25 micron
Construction	Aluminium head, nylon bowl
Fluid Compatibility	Mineral & synthetic oils, water based emulsions
Indicators	V1, VR, ER, EC
Bypass Pressure	1.75 bar +/- 10%



Tank Mounted Filters

MPF Series (continued)

Element Technical Specifications

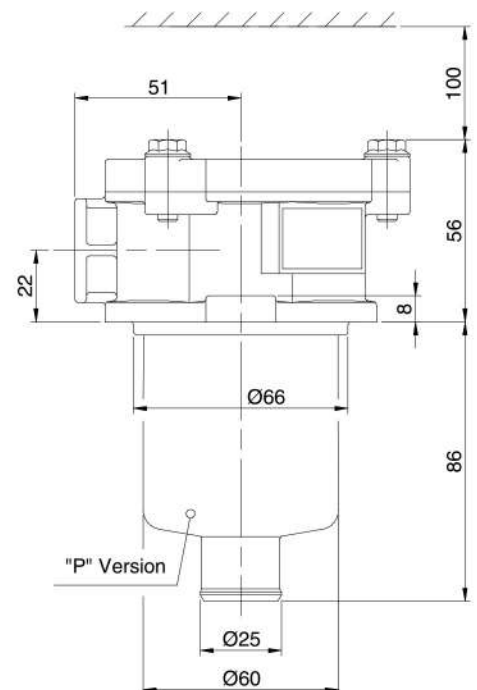
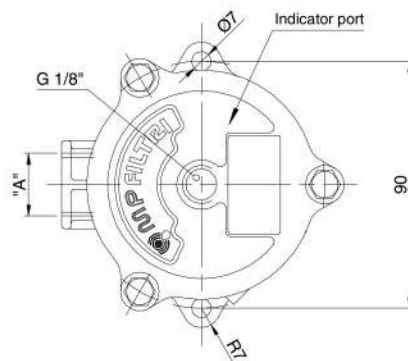
Part Number	Flow Rate (lpm)	Element Type	Suits Filter Housing	Collapse Rating (bar)	Seals	Beta Ratio	Price (Ex. GST)
MF0301A25HB	35	25u ABS Microfibre	MPF0301	10	BUNA	$\beta_x \odot > 200$	
MF0301P10NB	33	10u Nom Paper	MPF0301	3	BUNA	NOMINAL	
MF0301P25NB	44	25u Nom Paper	MPF0301	3	BUNA	NOMINAL	
MF1001A10HB	35	10u ABS Microfibre	MPF1001	10	BUNA	$\beta_x \odot > 200$	
MF1001P10NB	55	10u Nom Paper	MPF1001	3	BUNA	NOMINAL	
MF1001P25NB	95	25u Nom Paper	MPF1001	3	BUNA	NOMINAL	
MF1002A10HB	50	10u ABS Microfibre	MPF1002 MPF1042	10	BUNA	$\beta_x \odot > 200$	
MF1002A25HB	140	25u ABS Microfibre	MPF1002 MPF1042	10	BUNA	$\beta_x \odot > 200$	
MF1002P10NB	100	10u Nom Paper	MPF1002 MPF1042	3	BUNA	NOMINAL	
MF1002P25NB	190	25u Nom Paper	MPF1002 MPF1042	3	BUNA	NOMINAL	
MF1003A10HB	75	10u ABS Microfibre	MPF1003	10	BUNA	$\beta_x \odot > 200$	
MF1003P10NB	125	10u Nom Paper	MPF1003	3	BUNA	NOMINAL	
MF1003P25NB	220	25u Nom Paper	MPF1003	3	BUNA	NOMINAL	
MF1801A10HB	150	10u ABS Microfibre	MPF1811 MPF1841	10	BUNA	$\beta_x \odot > 200$	
MF1801P10NB	190	10u Nom Paper	MPF1811 MPF1841	3	BUNA	NOMINAL	
MF1801P25NB	340	25u Nom Paper	MPF1811 MPF1841	3	BUNA	NOMINAL	
MF4002A10HB	260	10u ABS Microfibre	MPF4002	10	BUNA	$\beta_x \odot > 200$	
MF4002A25HB	450	25u ABS Microfibre	MPF4002	10	BUNA	$\beta_x \odot > 200$	
MF4002P10NB	320	10u Nom Paper	MPF4002	3	BUNA	NOMINAL	
MF4003P10NB	420	10u Nom Paper	MPF4003	3	BUNA	NOMINAL	

Note: Flow rates are based on oil with 30cst viscosity and pressure drop of filter assembly of 0.4 bar.

Dimensions - MPF 030

Thread Connections

Type	"A" Connection
G1	G 1/2"



MP FILTRI FILTRATION



Tank Mounted Filters

MPF Series (continued)

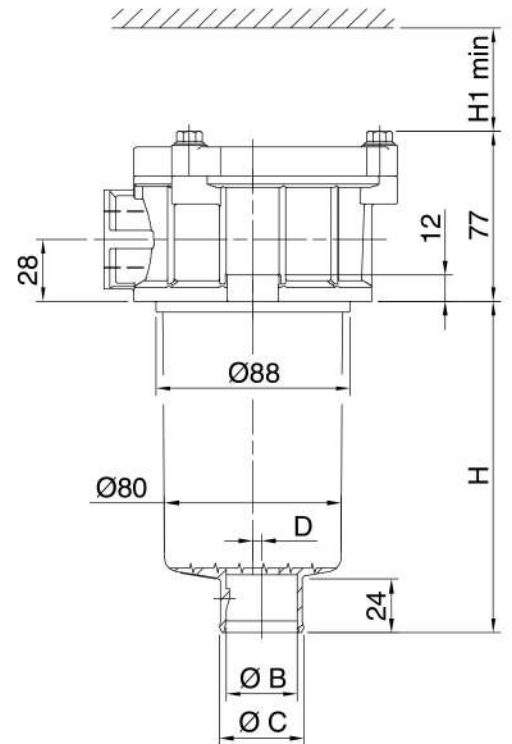
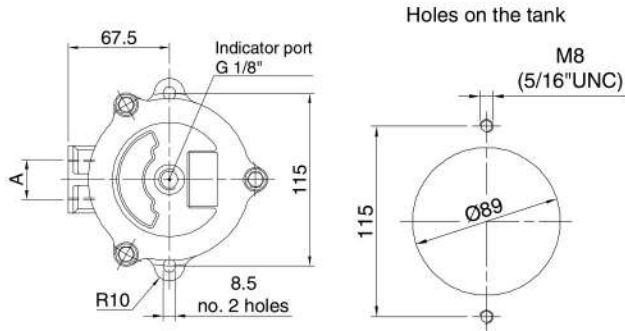
Dimensions - MPF 100

Filter Lengths

Type	H (mm)	H1 (mm)	ØB (mm)	ØC (mm)	D (mm)
MPF1001	103	120	32	38	4
MPF1002	150	170	32	38	4
MPF1003	228	250	40	46.5	2.5

Thread Connections

Type	"A" Connection
G1	G 1/2"
G2	G 3/4"
G3	G 1"



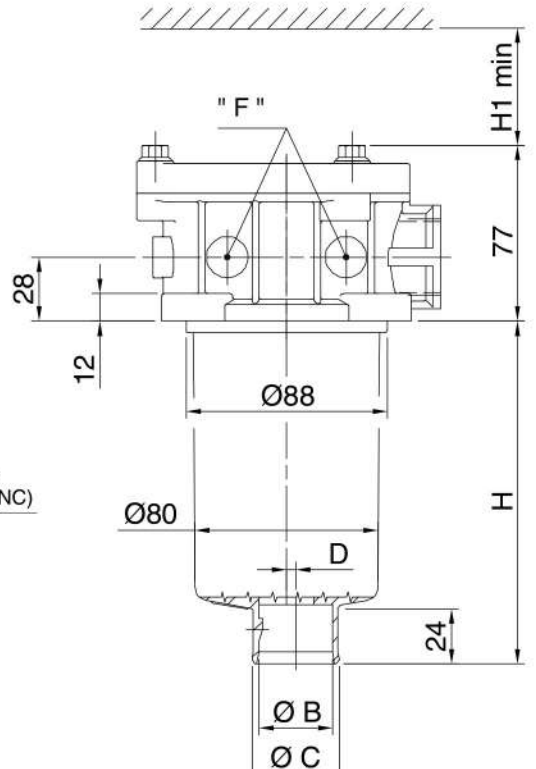
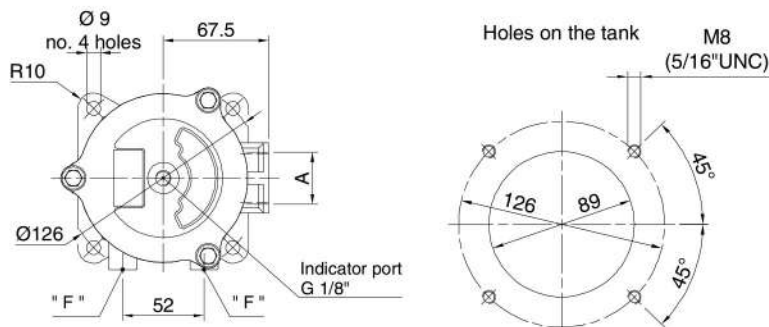
Dimensions - MPF 104

Filter Lengths

Type	H (mm)	H1 (mm)	ØB (mm)	ØC (mm)	D (mm)
MPF1042	150	170	32	38	4

Thread Connections

Type	"A" Connection	F
G1	G 1/2"	G 1/8"
G2	G 3/4"	G 1/8"
G3	G 1"	G 1/8"





Tank Mounted Filters

MPF Series (continued)

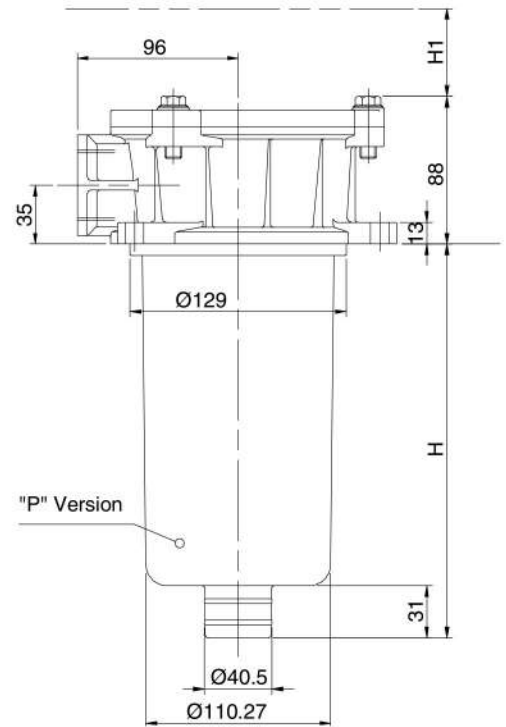
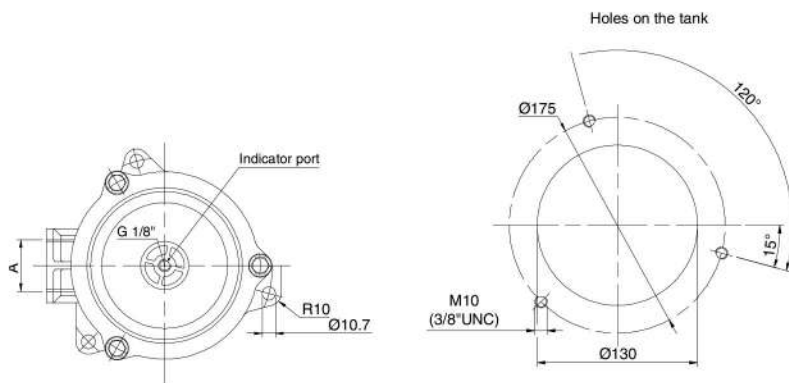
Dimensions - MPF 180

Filter Lengths

Type	H1 max (mm)	H max (mm)
MPF1801	250	231

Thread Connections

Type	"A" Connection	F
G1	G 1-1/4"	G 1/8"



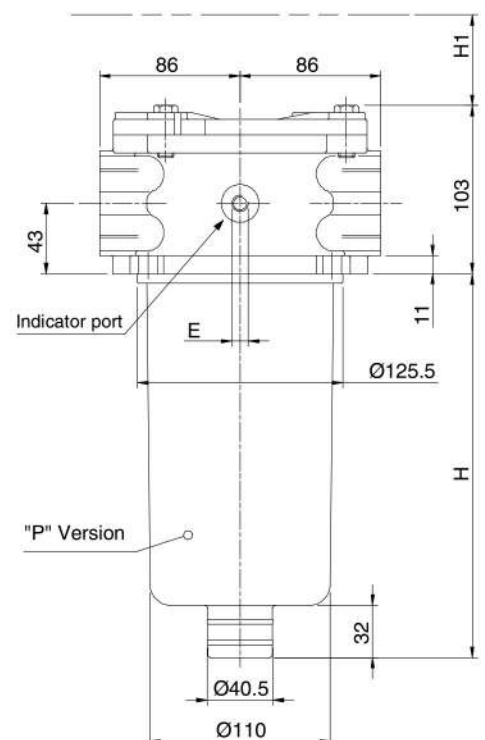
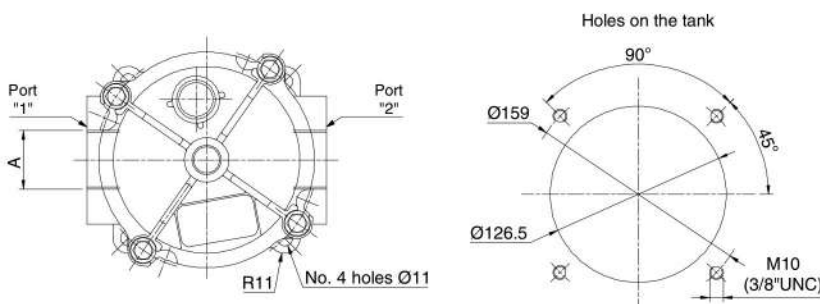
Dimensions - MPF 184

Filter Lengths

Type	H1 max (mm)	H max (mm)
MPF1841	250	231

Thread Connections

Type	"A" Connection	F
G1	G 1-1/4"	G 1/8"



MP FILTRI FILTRATION



Tank Mounted Filters

MPF Series (continued)

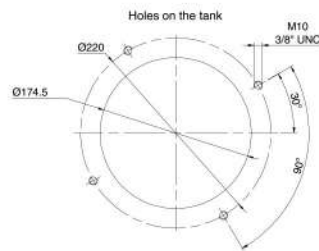
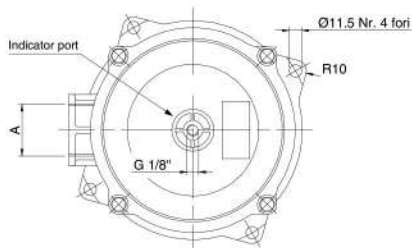
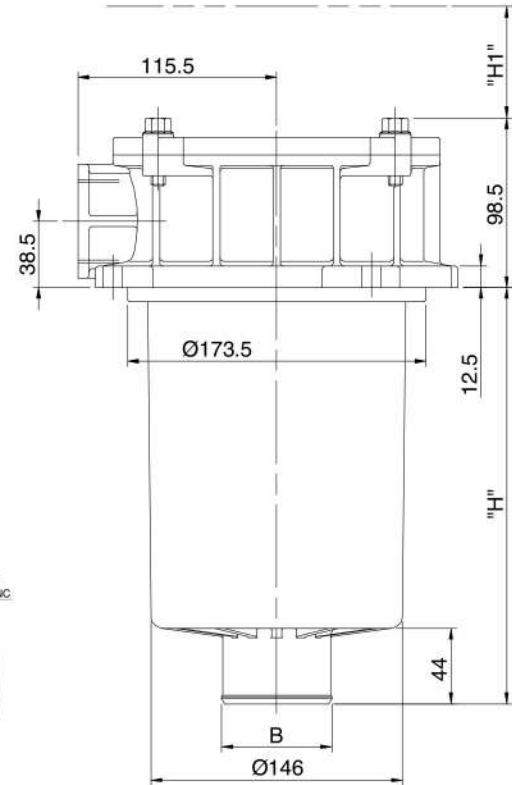
Dimensions - MPF 400

Filter Lengths

Type	H max (mm)	H1 max (mm)	Ø "B" (mm)
MPF4002	238	250	64
MPF4003	238	310	64

Thread Connections

Type	"A" Connection
G1	G 1-1/4"
G2	G 1-1/2"
G3	G 2"





Tank Mounted Filters

MPH Series

Filter Technical Specifications

Part Number	Flow Rate (lpm)	Filter Length	Bypass	Diffuser	Breather	Seals	Port Size	Indicator	Price (Ex. GST)
MPH2504BDSAG1T	350 - 500	4	B = 0.8 bar	D = W/ Diffuser	S = W/O Breather	A = Buna	G1 = 1-1/2" BSP	T = with plug (std)	

Element Technical Specifications

Part Number	Flow Rate (lpm)	Element Media	Suits Filter Housing	Seals	Beta Ratio	Price (Ex. GST)
MR2504A10A	440	10u ABS Microfibre	MPH2504	A = Buna	$\beta_{10} > 200$	
MR2504P10A	500	10u NOM Paper	MPH2504	A = Buna	NOMINAL	

Note: Flow rates are based on oil with 30cst viscosity and pressure drop of filter assembly of 0.4 bar.

Features

- Tank mounted semi-immersed return filters.
- Filtration flow is from inside to outside of the filter element which ensures that the contaminant is collected inside the element itself.
- A combination of magnetic pre-filtration and high filtration efficiency.

Applications

- Specifically designed for heavy duty mobile machinery and process plant applications.

Performance

Flow Rating	Up to 500 lpm
Max. Working Pressure	10 bar
Temperature Range	- 25 C to + 110 C
Filtration	10 micron
Construction	Aluminium head and cover
Fluid Compatibility	Mineral & synthetic oils, water based emulsions
Indicators	VT, VR, V1, EQ, EB, ER, EC
Bypass Pressure	0.8 bar +/- 10%

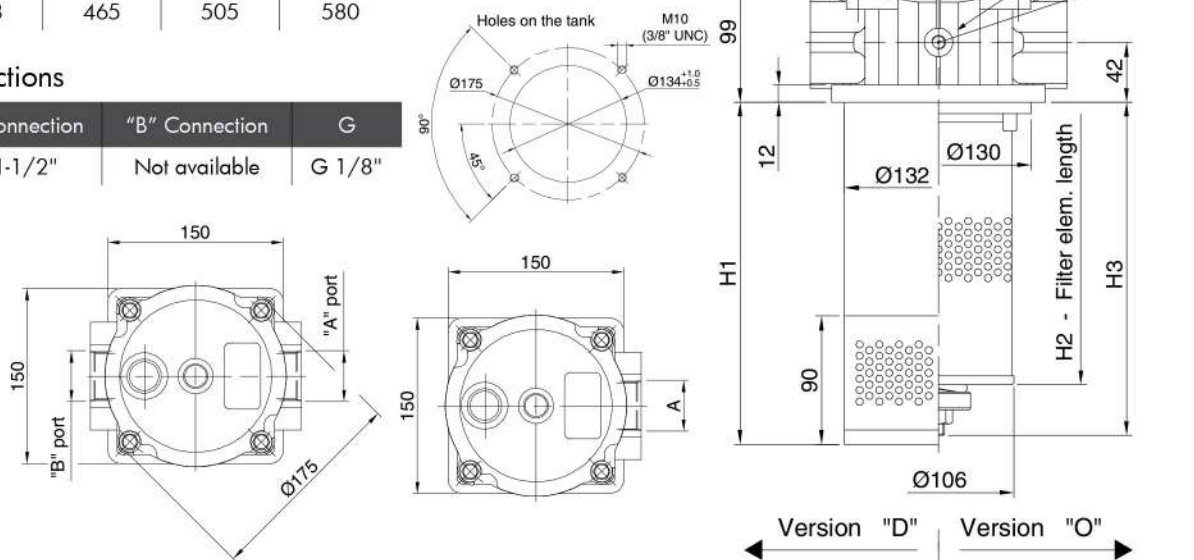
Dimensions - MPH 250

Filter Lengths

Type	H1 (mm)	H2 (mm)	H3 (mm)	H4 (mm)
MPH2504	508	465	505	580

Thread Connections

Type	"A" Connection	"B" Connection	G
G1	G 1-1/2"	Not available	G 1/8"



MP FILTRI FILTRATION



In-Line Return Filters

LMP-210 Series

Filter Technical Specifications

Part Number	Flow Rate (lpm)	Filter Length	Options	Seals	Port Size	Indicator	Price (Ex. GST)
LMP2101BAG1T2	98 - 250	1	B = Bypass 3.5 bar	A = Buna	G1 = 1" BSP	T2 = Plug (std)	
LMP2102BAG2T2	140 - 255	2	B = Bypass 3.5 bar	A = Buna	G2 = 1-1/4" BSP	T2 = Plug (std)	
LMP2103BAG3T2	190 - 268	3	B = Bypass 3.5 bar	A = Buna	G3 = 1-1/2" BSP	T2 = Plug (std)	

Element Technical Specifications

Part Number	Flow Rate (lpm)	Element type	Suits Filter	Seals	Collapse Rating	Beta Ratio	Price (Ex. GST)
CU2101A03AN	98	3u ABS Microfibre	LMP2101	A = Buna	N = 20 bar	$\beta_x \odot > 1000$	
CU2101A10AN	175	10u ABS Microfibre	LMP2101	A = Buna	N = 20 bar	$\beta_x \odot > 1000$	
CU2101P10AN	245	10u NOM Paper	LMP2101	A = Buna	N = 20 bar	NOMINAL	
CU2101P25AN	250	25u NOM Paper	LMP2101	A = Buna	N = 20 bar	NOMINAL	
CU2102A03AN	140	3u ABS Microfibre	LMP2102	A = Buna	N = 20 bar	$\beta_x \odot > 1000$	
CU2102A10AN	205	10u ABS Microfibre	LMP2102	A = Buna	N = 20 bar	$\beta_x \odot > 1000$	
CU2102M25	270	25u NOM Wire Mesh	LMP2102	A = Buna	N = 20 bar	NOMINAL	
CU2102P10AN	250	10u NOM Paper	LMP2102	A = Buna	N = 20 bar	NOMINAL	
CU2102P25AN	255	25u NOM Paper	LMP2102	A = Buna	N = 20 bar	NOMINAL	
CU2103A03AN	190	3u ABS Microfibre	LMP2103	A = Buna	N = 20 bar	$\beta_x \odot > 1000$	
CU2103A10AN	235	10u ABS Microfibre	LMP2103	A = Buna	N = 20 bar	$\beta_x \odot > 1000$	
CU2103P10AN	260	10u NOM Paper	LMP2103	A = Buna	N = 20 bar	NOMINAL	
CU2103P25AN	268	25u NOM Paper	LMP2103	A = Buna	N = 20 bar	NOMINAL	

Features

- Designed for return lines and are installed in-line.
- Inorganic microfibre elements provide efficient filtration and dirt holding capacity with a Beta ratio of 1000.
- High flow rate bypass valve as standard.
- Elements available in resin impregnated paper, microfibre and wire mesh from 3 to 25 micron.

Applications

- Specifically designed for mobile applications, agricultural machinery and light industrial applications.
- Systems with high return line pressures that require excellent component protection.
- As a more efficient alternative to high pressure spin-on filters.

Performance

Flow Rating	Up to 270 lpm
Max. Working Pressure	60 bar
Temperature Range	- 25 C to + 110 C
Filtration	3, 10, 25 micron
Construction	Aluminium
Fluid Compatibility	Mineral & synthetic oils, water based emulsions
Indicators	Differential
Bypass Pressure	3.5 bar +/- 10%



In-Line Return Filters

LMP-210 Series (continued)

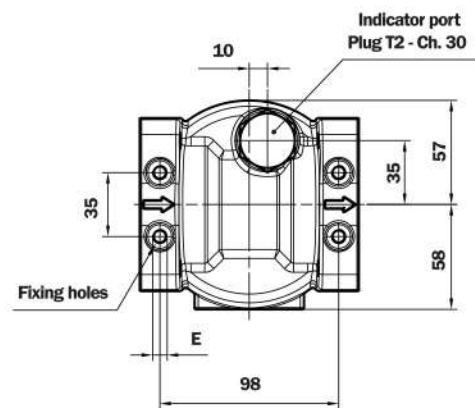
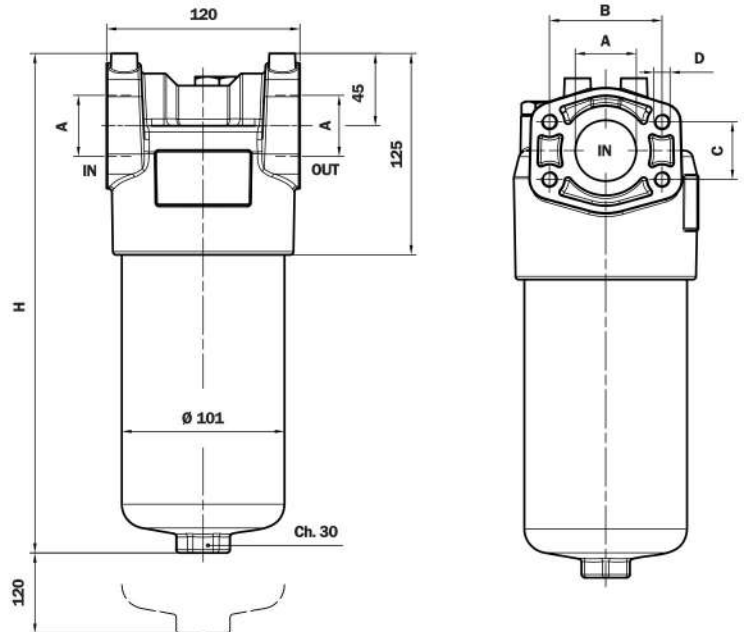
Dimensions

Filter Lengths

Type	H (mm)
LMP2101	360
LMP2102	492
LMP2103	630

Thread Connections

Type	"A" Connection	E Depth 12mm
G1	G 1"	M8
G2	G 1-1/4"	M8
G3	G 1-1/2"	M8



MP FILTRI FILTRATION



In-Line Return Filters

LMP 430 Series

Filter Technical Specifications

Part Number	Flow Rate (lpm)	Filter Length	Options	Seals	Port Size	Indicator	Price (Ex. GST)
LMP4305BAG1T2	405 - 550	5	B = Bypass 3.5 bar	A = Buna	G1 = 1-1/2" BSP	T2 = Plug (std)	
LMP4306BAF1T2	450 - 610	6	B = Bypass 3.5 bar	A = Buna	F1 = 2" SAE Flange	T2 = Plug (std)	

Element Technical Specifications

Part Number	Flow Rate (lpm)	Element Type	Suits Filter	Collapse Rating	Beta Ratio	Price (Ex. GST)
CU4005A10AN	550	10u ABS Microfibre	LMP4305	N = 20 bar	$\beta_x \text{ @ } > 1000$	
CU4006A10AN	610	10u ABS Microfibre	LMP4306	N = 20 bar	$\beta_x \text{ @ } > 1000$	

Note: Flow rates are based on oil with 30cst viscosity and pressure drop of filter assembly of 0.6 bar.

Features

- Designed for return lines and are installed in-line.
- Utilises the differential type indicators available.
- Two bowl sizes to suit most applications.
- Maintenance from bowl allows for quick and easy replacement of elements with minimal oil loss.

Applications

- Lubrication systems, production machinery and other industrial applications where superior filtration is required for maximum equipment efficiency.

Performance

Flow Rating	Up to 610 lpm
Max. Working Pressure	50 bar
Temperature Range	- 25 C to + 110 C
Filtration	10 micron
Construction	Aluminium
Fluid Compatibility	Mineral & synthetic oils, water based emulsions
Indicators	Differential
Bypass Pressure	3.5 bar +/- 10%

Dimensions

Filter Lengths

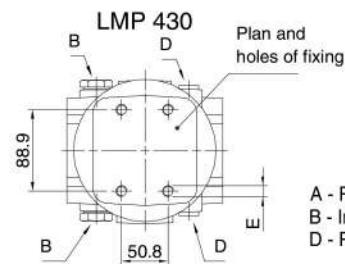
Type	H min (mm)	H1 min (mm)
LMP4305	828	660
LMP4306	1158	990

Thread Connections

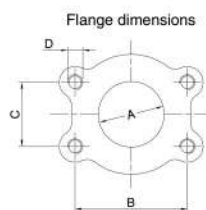
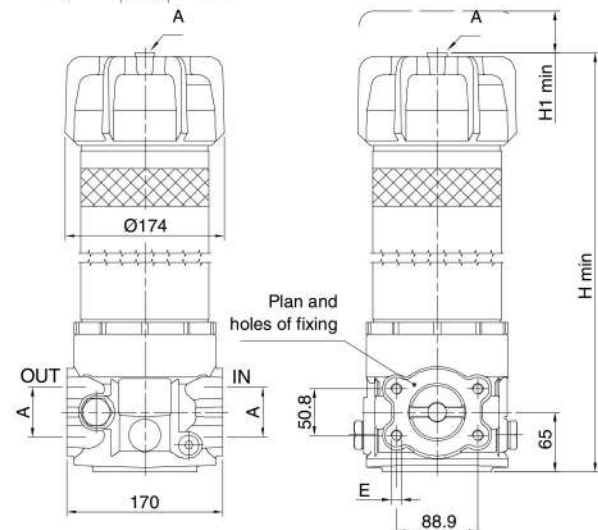
Type	"A" Connection	E Depth 20mm
G1	G 1-1/2"	M12

Flange Connections

Type	"A" Connection	B (mm)	C (mm)	D (mm)	E Depth 20mm
F1	2" SAE "- 3000 PSI/M	77.77	42.88	M12	M12



A - Plug Ventscrew - G 3/8" - A/F 8 mm
 B - Indicator port - T2 Plug - A/F 30 mm
 D - Plug of drain oil - G 3/8" - A/F 8 mm





In-Line Return Filters

LMP 950 Series

Filter Technical Specifications

Part Number	Flow Rate (lpm)	Filter Length	Options	Seals	Port Size	Indicator	Price (Ex. GST)
LMP9502BAF1T2	550 - 800	2	B = Bypass 3.5 bar	A = Buna	F1 = 3" SAE Flange	T2 = Plug (std)	
LMP9503BAF3T2	1000 - 1400	3	B = Bypass 3.5 bar	A = Buna	F3 = 4" SAE Flange	T2 = Plug (std)	

Element Technical Specifications

Part Number	Flow Rate (lpm)	Element Type	Suits Filter	Collapse Rating (bar)	Beta Ratio	Price (Ex. GST)
CU9502A10AN	800	10u ABS Microfibre	LMP9502	N = 20	$\beta_x @ > 1000$	
CU9503A10AN	1400	10u ABS Microfibre	LMP9503	N = 20	$\beta_x @ > 1000$	

Note: Flow rates are based on oil with 30cst viscosity and pressure drop of filter assembly of 0.6 bar.

Features

- The microfibre elements offer extremely efficient filtration and excellent dirt holding capacity with a Beta ratio of 1000.
- Utilises the differential type indicators available.
- Available in 2 flange sizes to suit most high flow applications.
- Maintenance from bowl allows for quick and easy replacement of elements with minimal oil loss.

Applications

- Designed for use on large industrial applications.
- Suited to lubrication systems, production machinery and other industrial applications where superior filtration is required for maximum equipment efficiency.

Performance

Flow Rating	Up to 1400 lpm
Max. Working Pressure	30 bar
Temperature Range	- 25 C to + 110 C
Filtration	10 micron
Construction	Aluminium
Fluid Compatibility	Mineral & synthetic oils, water based emulsions
Indicators	Differential
Bypass Pressure	3.5 bar +/- 10%

Dimensions

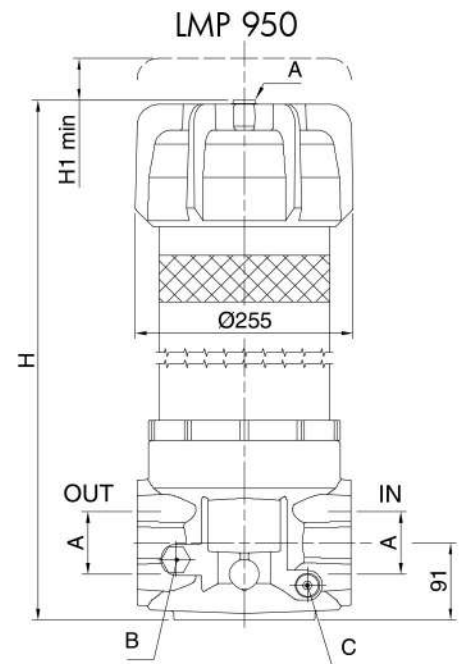
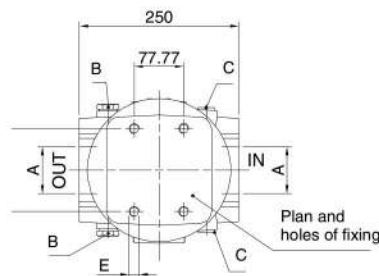
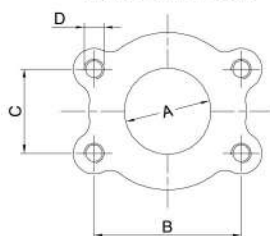
Filter Lengths

Type	H(mm)	H1 (mm)
LMP9502	680	350
LMP9503	1230	900

Flange Connections

Type	"A" Connection	B (mm)	C (mm)	D	E
F1	3" SAE - 3000 PSI/M	106.38	61.93	M16	M16
F3	4" SAE - 3000 PSI/M	130.18	77.77	M16	M16

Flange dimensions



A - Plug Ventscrew - G 1/2" - A/F 10 mm
 B - Indicator port - T2 Plug - A/F 30 mm
 C - Plug of drain oil - G 1/2" - A/F 10 mm

MP FILTRI FILTRATION



Pressure Filters

FMP Series



Filter Technical Specifications

Part Number	Flow Rate (lpm)	Options	Seals	Port Type	Indicator	Price (Ex. GST)
FMP0653BAG6T2	52 - 94	B = Bypass 6 bar	A = Buna	G6 = SAE 12	T2 = Plug (std)	
FMP1351BAG1T2	50 - 171	B = Bypass 6 bar	A = Buna	G1 = 3/4" BSP	T2 = Plug (std)	
FMP1352BAG2T2	91 - 230	B = Bypass 6 bar	A = Buna	G2 = 1" BSP	T2 = Plug (std)	

Element Technical Specifications

Part Number	Flow Rate (lpm)	Element Type	Suits Filter Housing	Collapse Rating (bar)	Beta Ratio	Price (Ex. GST)
HP0371A25AN	54	25u ABS Microfibre	FMP0381	20	$\beta_x \text{ @ } > 1000$	
HP0371P10AN	45	10u Nom Paper	FMP0381	20	$\beta_x \text{ @ } > 1000$	
HP0371P25AN	54	25u Nom Paper	FMP0381	20	$\beta_x \text{ @ } > 1000$	
HP0372A03AN	40	3u ABS Microfibre	FMP0382	20	$\beta_x \text{ @ } > 1000$	
HP0372A10AN	58	10u ABS Microfibre	FMP0382	20	$\beta_x \text{ @ } > 1000$	
HP0372A25AN	71	25u ABS Microfibre	FMP0382	20	$\beta_x \text{ @ } > 1000$	
HP0651A03AN	23	3u ABS Microfibre	FMP0651	20	$\beta_x \text{ @ } > 1000$	
HP0651A10AN	48	10u ABS Microfibre	FMP0651	20	$\beta_x \text{ @ } > 1000$	
HP0651A25AN	72	25u ABS Microfibre	FMP0651	20	$\beta_x \text{ @ } > 1000$	
HP0652A03AH	30	3u ABS Microfibre	FMP0652	210	$\beta_x \text{ @ } > 1000$	
HP0652A03AN	31	3u ABS Microfibre	FMP0652	20	$\beta_x \text{ @ } > 1000$	
HP0652A06AN	45	6u ABS Microfibre	FMP0652	20	$\beta_x \text{ @ } > 1000$	
HP0652A10AH	57	10u ABS Microfibre	FMP0652	210	$\beta_x \text{ @ } > 1000$	
HP0652A10AN	60	10u ABS Microfibre	FMP0652	20	$\beta_x \text{ @ } > 1000$	
HP0652A25AH	77	25u ABS Microfibre	FMP0652	210	$\beta_x \text{ @ } > 1000$	
HP0652A25AN	82	25u ABS Microfibre	FMP0652	20	$\beta_x \text{ @ } > 1000$	
HP0653A03AN	53	3u ABS Microfibre	FMP0653	20	$\beta_x \text{ @ } > 1000$	
HP0653A10AH	78	10u ABS Microfibre	FMP0653	210	$\beta_x \text{ @ } > 1000$	
HP0653A10AN	79	10u ABS Microfibre	FMP0653	20	$\beta_x \text{ @ } > 1000$	
HP0653A25AN	94	25u ABS Microfibre	FMP0653	20	$\beta_x \text{ @ } > 1000$	
HP1351A03AH	50	3u ABS Microfibre	FMP1351	210	$\beta_x \text{ @ } > 1000$	
HP1351A03AN	69	3u ABS Microfibre	FMP1351	20	$\beta_x \text{ @ } > 1000$	
HP1351A10AH	98	10u ABS Microfibre	FMP1351	210	$\beta_x \text{ @ } > 1000$	

(continued next page)

Features

- Interchangeable indicator and bypass valve positions.
- Microfibre elements have superior dirt holding capacity and a Beta ratio of 1000.
- Differential indicators, available as visual, electrical or visual/electrical.
- Absolute rated elements are available in either 20 bar or 210 bar collapse pressure.

Applications

- Designed for industrial and mobile applications, agricultural machinery, power units, die casting and injection moulding equipment.
- Mining and corrosive environments.

Performance

Flow Rating	Up to 230 lpm
Max. Working Pressure	280 bar
Temperature Range	- 25 C to + 110 C
Filtration	3, 6, 10, 25 and 60 micron
Construction	Cast Iron
Fluid Compatibility	Mineral & synthetic oils, water based emulsions
Indicators	Differential
Bypass Pressure	6 bar +/- 10%



Pressure Filters

FMP Series (continued)

Element Technical Specifications (continued)

Part Number	Flow Rate (lpm)	Element Type	Suits Filter Housing	Collapse Rating (bar)	Beta Ratio	Price (Ex. GST)
HP1351A10AN	120	10u ABS Microfibre	FMP1351	20	$\beta_x \text{ @ } > 1000$	
HP1351A25AH	156	25u ABS Microfibre	FMP1351	210	$\beta_x \text{ @ } > 1000$	
HP1351A25AN	171	25u ABS Microfibre	FMP1351	20	$\beta_x \text{ @ } > 1000$	
HP1352A03AH	91	3u ABS Microfibre	FMP1352	210	$\beta_x \text{ @ } > 1000$	
HP1352A03AN	110	3u ABS Microfibre	FMP1352	20	$\beta_x \text{ @ } > 1000$	
HP1352A10AH	136	10u ABS Microfibre	FMP1352	210	$\beta_x \text{ @ } > 1000$	
HP1352A10AN	148	10u ABS Microfibre	FMP1352	20	$\beta_x \text{ @ } > 1000$	
HP1352A25AH	175	25u ABS Microfibre	FMP1352	210	$\beta_x \text{ @ } > 1000$	
HP1352M60AN	230	60u Nom Wire Mesh	FMP1352	20	Nominal	

Note: Flow rates are based on oil with 30cst viscosity and pressure drop of filter assembly of 1.5 bar.

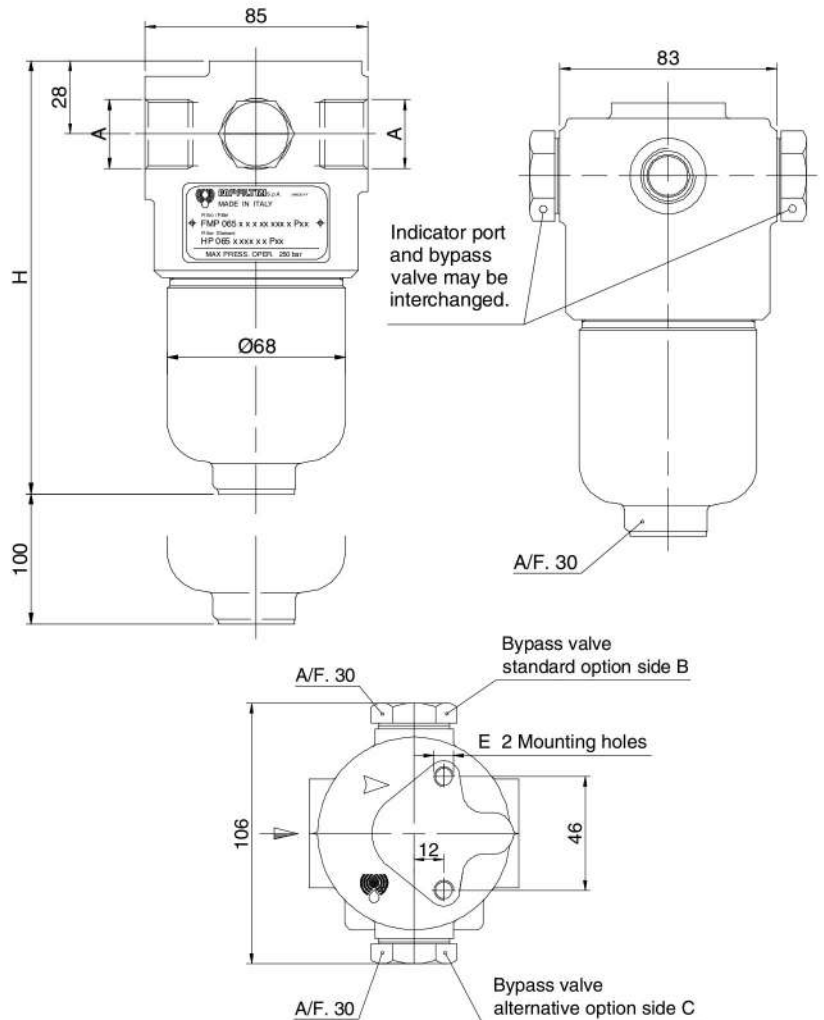
Dimensions - FMP 065

Filter Lengths

Type	H (mm)
FMP0653	303

Thread Connections

Type	"A" Connection	E Depth 12mm
G6	SAE 16 - 1-1/16"-12UN	5/16" UNC



MP FILTRI FILTRATION



Pressure Filters

FMP Series (continued)



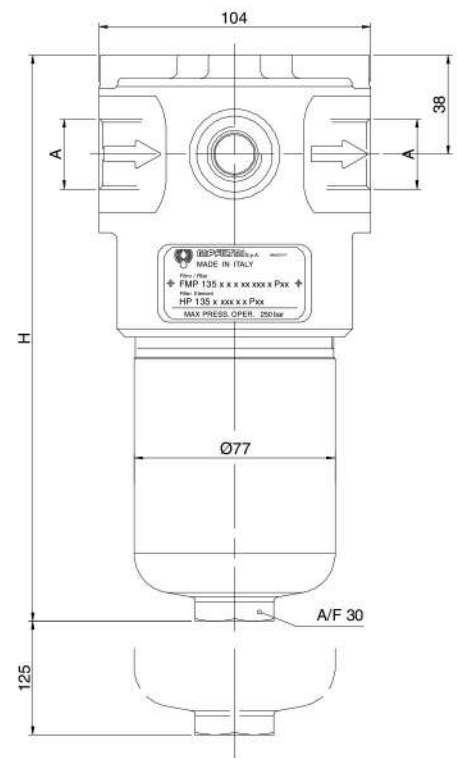
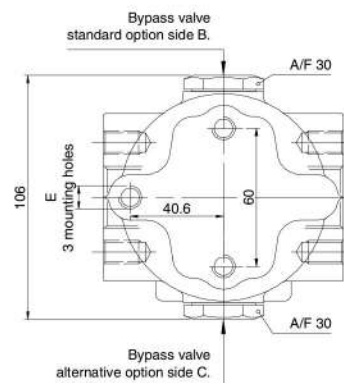
Dimensions - FMP 135

Filter Lengths

Type	H (mm)
FMP1352	335
FMP1351	222

Thread Connections

Type	"A" Connection	E Depth 12mm
G2	G 1"	M10
G1	G 3/4"	M10





Pressure Filters

FMM-050 Series

Filter Housing Technical Specifications

Part Number	Flow Rate (lpm)	Options	Seals	Port size	Indicator	Price (Ex. GST)
FMM0502BACT2	53 - 140	B = Bypass 6 bar	A = Buna	C = 1/2" BSP	T2 = Plug (std)	
FMM0504BADT2	85 - 145	B = Bypass 6 bar	A = Buna	D = 3/4" BSP	T2 = Plug (std)	

Element Technical Specifications

Part Number	Flow Rate (lpm)	Element Type	Suits Filter Housing	Collapse Rating (bar)	Beta Ratio	Price (Ex. GST)
HP0502A10AN	87	10u ABS Microfibre	FMM0502	20	$\beta_x \text{ @ } > 1000$	
HP0504A10AN	118	10u ABS Microfibre	FMM0504	20	$\beta_x \text{ @ } > 1000$	

Note: Flow rates are based on oil with 30cst viscosity and pressure drop of filter assembly of 1.5 bar.

Features

- Available in 1/2" and 3/4" BSP port sizes.
- Filters are constructed of chemical heat treated cast iron.
- Low cost, light weight and compact design.

Applications

- High pressure applications.
- Industrial and mobile applications, agricultural machinery, machine tools and transmission applications.

Performance

Flow Rating	Up to 145 lpm
Max. Working Pressure	280 bar
Temperature Range	- 25 C to + 110 C
Filtration	10 micron Absolute Microfibre
Construction	Cast Iron & Steel
Fluid Compatibility	Mineral & synthetic oils, water based emulsions
Indicators	Differential
Bypass Pressure	6 bar +/- 10%

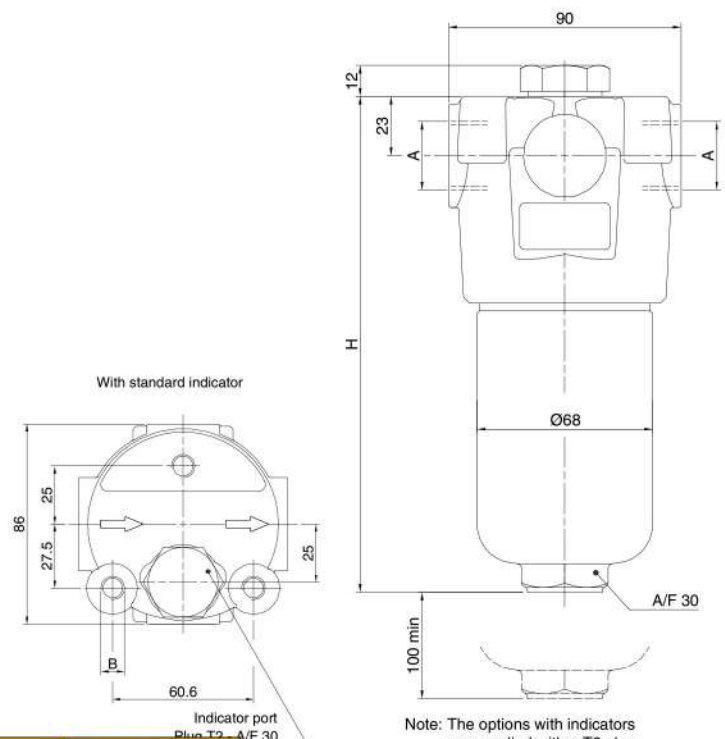
Dimensions

Filter Lengths

Type	H (mm)
FMM0502	195
FMM0504	285

Thread Connections

Type	"A" Connection	E Depth 12mm
C	G 1/2"	M10
D	G 3/4"	M10



Note: The options with indicators are supplied with a T2 plug.

MP FILTRI FILTRATION



Pressure Filters

FHP Series

Filter Technical Specifications

Part Number	Flow Rate (lpm)	Options	Seals	Port size	Indicator	Price (Ex. GST)
FHP1352BAG1T2	91-230	B = Bypass 6 bar	A = Buna	G1 = 3/4" BSP	T2 = Plug (std)	
FHP1352BAG2T2	91-230	B = Bypass 6 bar	A = Buna	G2 = 1" BSP	T2 = Plug (std)	
FHP3202BAG1T2	192-445	B = Bypass 6 bar	A = Buna	G1 = 1-1/4" BSP	T2 = Plug (std)	
FHP3202BAG2T2	192-445	B = Bypass 6 bar	A = Buna	G2 = 1-1/2" BSP	T2 = Plug (std)	
FHP3203BAG2T2	255 - 465	B = Bypass 6 bar	A = Buna	G2 = 1-1/2" BSP	T2 = Plug (std)	
FHP3253BAF2T2	312 - 480	B = Bypass 6 bar	A = Buna	F2 = 2" SAE FLANGE	T2 = Plug (std)	

Note: SAE flange ports are code 61 rated at 3000 PSI

Reverse Flow Filter Technical Specifications

Part Number	Flow Rate (lpm)	Options	Seals	Port size	Indicator	Price (Ex. GST)
FHP3202RAG1T2	192 - 445	R = Reverse flow	A = Buna	G1 = 1-1/4" BSP	T2 = Plug (std)	
FHP3203RAG2T2	255 - 465	R = Reverse flow	A = Buna	G1 = 1-1/4" BSP	T2 = Plug (std)	

Reverse Flow Element Technical Specifications

Part Number	Flow Rate (lpm)	Element Type	Suits Filter Housings	Collapse Rating (bar)	Beta Ratio	Price (Ex. GST)
HP3202A10AS	300	10u ABS Microfibre Reverse flow	FHP3202R, FHP3253R	210	bx © > 1000	
HP3203A10AS	357	10u ABS Microfibre Reverse flow	FHP3203R, FHP3253R	210	bx © > 1000	

Features

- High flow rate bypass valve as standard and reverse flow valve option is available on FHP 320/325 filters.
- Filters are constructed of chemical heat treated cast iron.
- Microfibre elements have superior dirt holding capacity with a Beta ratio of 1000.
- Utilises the differential type indicators available.
- Absolute rated elements are available in either 20 bar or 210 bar collapse pressure.

Applications

- Designed for industrial, mobile and power pack applications.
- Ideal for high pressure applications.
- Mining and earth moving equipment, drilling rigs, plant machinery and hydrostatic circuits (with reverse flow valve).

Performance

Flow Rating	Up to 465 lpm
Max. Working Pressure	420 bar
Temperature Range	- 25 C to + 110 C
Filtration	3, 6, 10, 25 and 60 micron
Construction	Cast Iron
Fluid Compatibility	Mineral & synthetic oils, water based emulsions
Indicators	Differential
Bypass Pressure	6 bar +/- 10%



Pressure Filters

FHP Series (continued)

Element Technical Specifications

Part Number	Flow Rate (lpm)	Element Type	Suits Filter Housings	Collapse Rating (bar)	Beta Ratio	Price (Ex. GST)
HP0651A03AN	23	3u ABS Microfibre	FHP0651	20	bx © > 1000	
HP0651A10AN	48	10u ABS Microfibre	FHP0651	20	bx © > 1000	
HP0651A25AN	72	25u ABS Microfibre	FHP0651	20	bx © > 1000	
HP0652A03AH	30	3u ABS Microfibre	FHP0652	210	bx © > 1000	
HP0652A03AN	31	3u ABS Microfibre	FHP0652	20	bx © > 1000	
HP0652A06AN	45	6u ABS Microfibre	FHP0652	20	bx © > 1000	
HP0652A10AH	57	10u ABS Microfibre	FHP0652	210	bx © > 1000	
HP0652A10AN	60	10u ABS Microfibre	FHP0652	20	bx © > 1000	
HP0652A25AH	77	25u ABS Microfibre	FHP0652	210	bx © > 1000	
HP0652A25AN	82	25u ABS Microfibre	FHP0652	20	bx © > 1000	
HP0653A03AN	53	3u ABS Microfibre	FHP0653	20	bx © > 1000	
HP0653A10AH	78	10u ABS Microfibre	FHP0653	210	bx © > 1000	
HP0653A10AN	79	10u ABS Microfibre	FHP0653	20	bx © > 1000	
HP0653A25AN	94	25u ABS Microfibre	FHP0653	20	bx © > 1000	
HP1351A03AH	50	3u ABS Microfibre	FHP1351	210	bx © > 1000	
HP1351A03AN	69	3u ABS Microfibre	FHP1351	210	bx © > 1000	
HP1351A10AH	98	10u ABS Microfibre	FHP1351	210	bx © > 1000	
HP1351A10AN	120	10u ABS Microfibre	FHP1351	20	bx © > 1000	
HP1351A25AH	156	25u ABS Microfibre	FHP1351	210	bx © > 1000	
HP1351A25AN	171	25u ABS Microfibre	FHP1351	20	bx © > 1000	
HP1352A03AH	91	3u ABS Microfibre	FHP1352	210	bx © > 1000	
HP1352A03AN	110	3u ABS Microfibre	FHP1352	20	bx © > 1000	
HP1352A10AH	136	10u ABS Microfibre	FHP1352	210	bx © > 1000	
HP1352A10AN	148	10u ABS Microfibre	FHP1352	20	bx © > 1000	
HP1352A25AH	175	25u ABS Microfibre	FHP1352	210	bx © > 1000	
HP1352M60AN	230	60u ABS Microfibre	FHP1352	20	Nominal	
HP3201A03AN	126	3u ABS Microfibre	FHP3201, FHP3251	20	bx © > 1000	
HP3201A10AH	185	10u ABS Microfibre	FHP3201, FHP3251	210	bx © > 1000	
HP3201A10AN	230	10u ABS Microfibre	FHP3201, FHP3251	20	bx © > 1000	
HP3201A25AN	330	25u ABS Microfibre	FHP3201, FHP3251	20	bx © > 1000	
HP3202A03AN	248	3u ABS Microfibre	FHP3202, FHP3252	20	bx © > 1000	
HP3202A10AH	300	10u ABS Microfibre	FHP3202, FHP3252	210	bx © > 1000	
HP3202A10AN	376	10u ABS Microfibre	FHP3202, FHP3252	20	bx © > 1000	
HP3202A25AN	440	25u ABS Microfibre	FHP3202, FHP3252	20	bx © > 1000	
HP3202M60AN	450	60u ABS Microfibre	FHP3202, FHP3252	20	Nominal	
HP3203A03AN	319	3u ABS Microfibre	FHP3203, FHP3253	20	bx © > 1000	
HP3203A10AN	427	10u ABS Microfibre	FHP3203, FHP3253	20	bx © > 1000	
HP3203A25AN	450	25u ABS Microfibre	FHP3203, FHP3253	20	bx © > 1000	
HP3204A03AN	354	3u ABS Microfibre	FHP3204, FHP3254	20	bx © > 1000	
HP3204A06AH	320	6u ABS Microfibre	FHP3204, FHP3254	210	bx © > 1000	
HP3204A10AN	430	10u ABS Microfibre	FHP3204, FHP3254	20	bx © > 1000	
HP3204A25AN	467	25u ABS Microfibre	FHP3204, FHP3254	20	bx © > 1000	

Note: Flow rates are based on oil with 30cst viscosity and pressure drop of filter assembly of 1.5 bar.

MP FILTRI FILTRATION



Pressure Filters

FHP Series (continued)

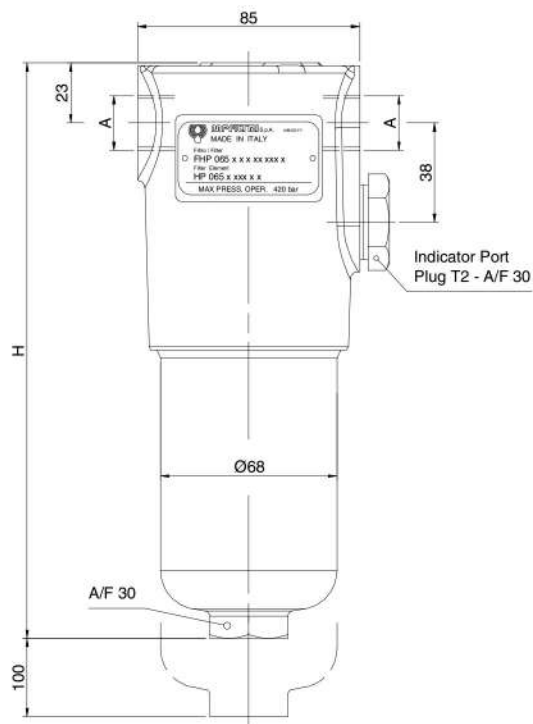
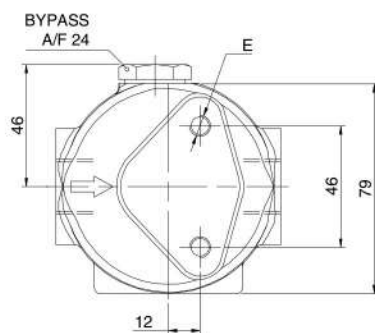
Dimensions - FHP065

Filter Lengths

Type	H (mm)
FHP0653	330

Thread Connections

Type	"A" Connection	E Depth 12mm
G1	G 1/2"	M8



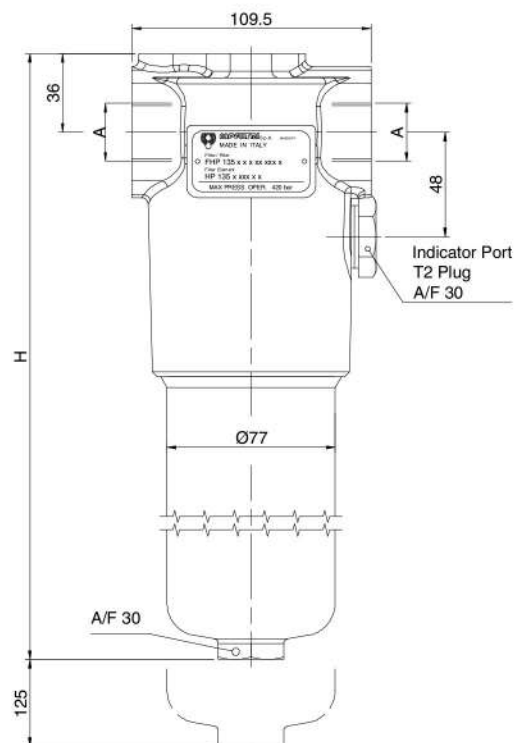
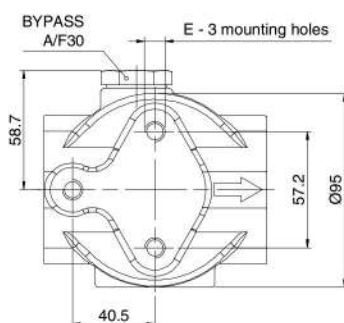
Dimensions - FHP135

Filter Lengths

Type	H (mm)
FHP1352	375

Thread Connections

Type	"A" Connection	E Depth 12mm
G1	G 3/4"	M10





Pressure Filters FHP Series (continued)

Dimensions - FHP320

Filter Lengths

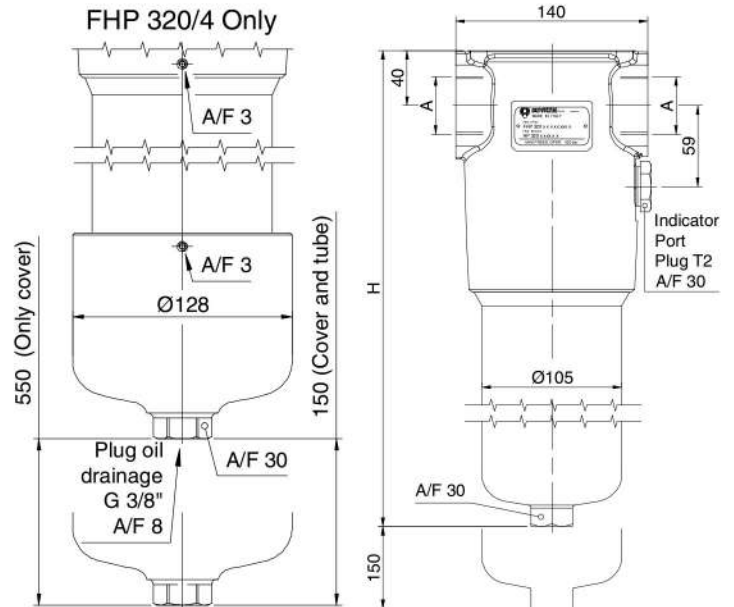
Type	H (mm)
FHP3202	425
FHP3203	560

Thread Connections

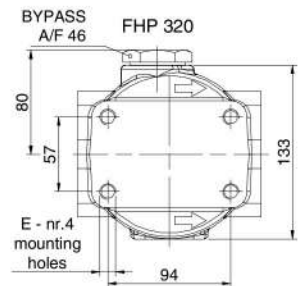
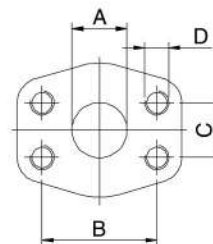
Type	"A" Connection	E Depth 12mm
G1	G 1-1/4"	M12
G2	G 1-1/2"	M12

Flange Connections

Type	"A" Connection	B (mm)	C (mm)	D (mm)	Depth
F1	1-1/4" SAE - 3000 PSI/M	58.72	30.18	M16	M12
F2	1-1/2" SAE - 3000 PSI/M	69.85	35.71	M16	M12



Flange connection



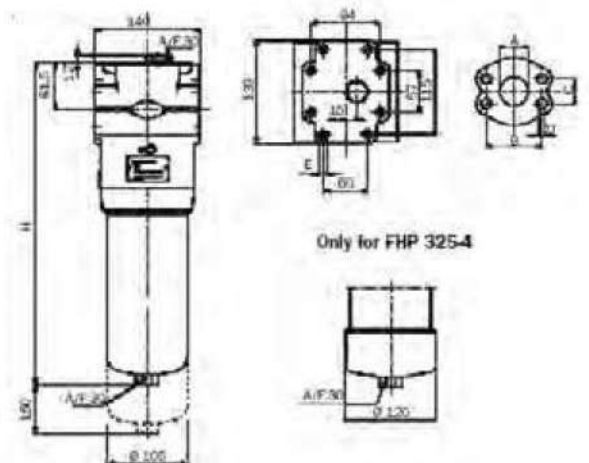
Dimensions - FHP325

Filter Lengths

Type	H (mm)
FHP3253	589

Flange Connections

Type	"A" Connection	B (mm)	C (mm)	D (mm)	E Depth 15
F2	2" SAE - 3000 PSI/UNC	77.77	42.88	1/2" unc	1/2" unc



MP FILTRI FILTRATION



Cetop Mount Pressure Filters

FHM Series

Filter Technical Specifications

Part Number	Flow Rate (lpm)	Options	Seals	Port Type	Indicator	Price (Ex. GST)
FHM0061SAG1T2	9 - 17	S = Without bypass	A = Buna	Cetop 3	T2 = Plug (std)	
FHM0103SAG1T2	24 - 31	S = Without bypass	A = Buna	Cetop 5	T2 = Plug (std)	

Element Technical Specifications

Part Number	Flow Rate (lpm)	Element Type	Suits Filter Housing	Collapse Rating (bar)	Beta Ratio	Price (Ex. GST)
HP0113A06AH	10	6u ABS Microfibre	FHM0061	210	$\beta_x \text{ @ } > 1000$	
HP0653A06AH	26	6u ABS Microfibre	FHM010	210	$\beta_x \text{ @ } > 1000$	

Note: Flow rates are based on oil with 30cst viscosity and pressure drop of filter assembly of 1.5 bar.

Features

- Directly mounted to Cetop valves to provide ultimate protection of sensitive equipment.
- Constructed of chemically heat treated steel suitable for use in extreme environments.
- The microfibre elements have superior dirt holding capacity with a Beta ratio of 1000 and collapse pressure of 210 bar.

Applications

- Ideally suited for the protection of proportional and servo valves.
- Component protection for sensitive equipment.

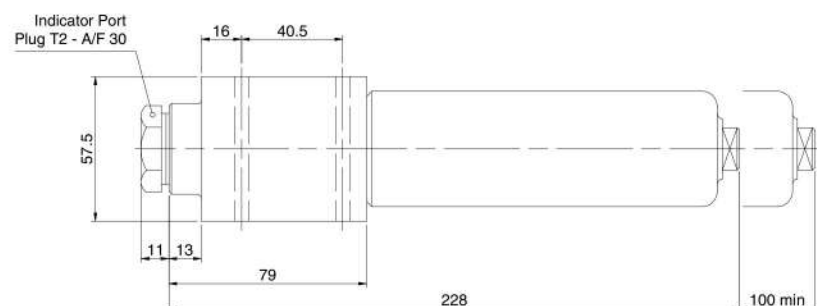
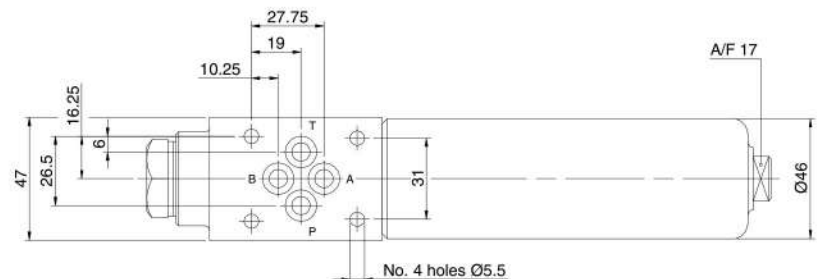
Performance

Flow Rating	Up to 31 lpm
Max. Working Pressure	320 bar
Temperature Range	- 25 C to + 110 C
Filtration	6 micron Absolute Microfibre
Construction	Steel
Fluid Compatibility	Mineral & synthetic oils, water based emulsions
Indicators	Differential
Bypass Pressure	No Bypass

Dimensions - FHM 006

Filter Lengths

Type	H (mm)
FHM0061	228



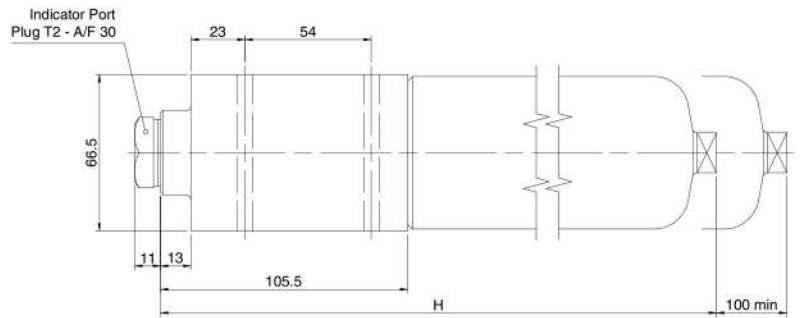
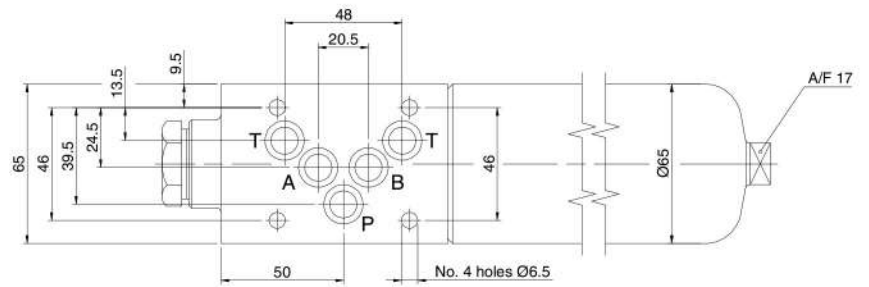


Cetop Mount Pressure Filters FHM Series (continued)

Dimensions - FHM 010

Filter Lengths

Type	H (mm)
FHM0103	380



MP FILTRI FILTRATION



Indicators

Clogging & Differential



Visual/Electric Series

Part Number	Style	Type	Function	Thread	Rating (bar)	Suits Filter	Price (Ex. GST)
1E	Switch	Visual/Electric	Differential	1/2" BSP	1.2	MPS-(051, 071, 101)	
E6	Switch	Visual/Electric	Differential	1/2" BSP	2	MPS-(051, 071, 101), LMP, MSH	
E7	Switch	Visual/Electric	Differential	1/2" BSP	5	FHM, FHP, FMM, FMP	
E8	Switch	Visual/Electric	Differential	1/2" BSP	7	FHM, FHP	
E9	Switch	Visual/Electric	Differential	1/2" BSP	10	FHM, FHP	

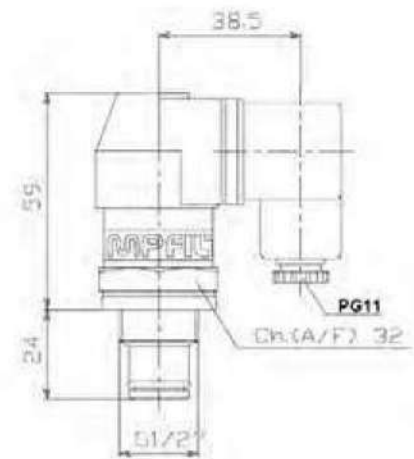
Features

- Available as Clogging or Differential.
- Avoid unnecessary costs of changing elements too soon or too late by installing an indicator.
- Available in a number of styles and configurations including gauges, popup style, electric switching and combinations of electric and visual.

Performance

Temperature Range	- 35 C to + 110 C
Max. Working Pressure	Up to 420 bar
Construction	Brass
Fluid Compatibility	Mineral & synthetic oils, water based emulsions
Indicators	Clogging & Differential

Dimensions - E Series



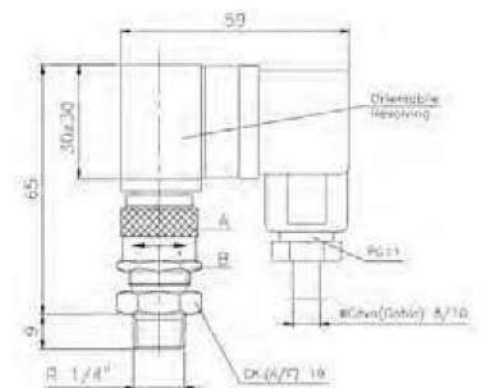
Applications

- Suits all MP Filtri Housings.

Visual/Electric Series

Part Number	Style	Type	Function	Thread	Rating (bar)	Suits Filter	Price (Ex. GST)
E1	Switch	Electric	N/O & N/C contacts	1/4" BSP	20 KPA	SF2-250 & SF2-500 Series	

Dimensions - E1 Series





Indicators

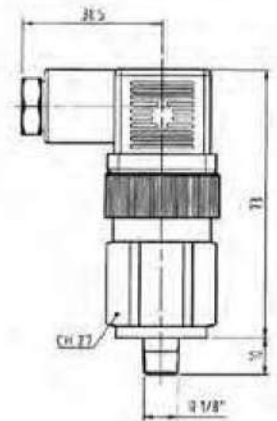
Clogging & Differential (continued)

Electric Series

Part Number	Style	Type	Function	Thread	Rating (bar)	Suits Filter	Price (Ex. GST)
EQ	Switch	Electric	N/O & N/C contacts	1/8" BSP	0.6	MPH	
ER	Switch	Electric	N/O & N/C contacts	1/8" BSP	1.5	MPF, MPH, MPS-(050, 070, 100, 200, 300)	



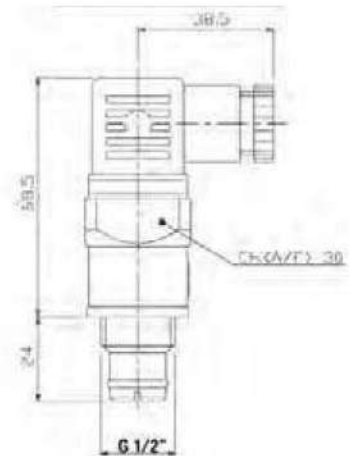
Dimensions - EC, EQ & ER Series



Electric Series

Part Number	Style	Type	Function	Thread	Rating (bar)	Suits Filter	Price (Ex. GST)
N6	Switch	Electric	Differential	1/2" BSP	2	LMP, MPS-(051, 071, 101), MSH	
N7	Switch	Electric	Differential	1/2" BSP	5	FHM, FHP, FMM, FMP	
N8	Switch	Electric	Differential	1/2" BSP	7	FHM, FHP, FMM, FMP	
N9	Switch	Electric	Differential	1/2" BSP	10	FHM, FHP	

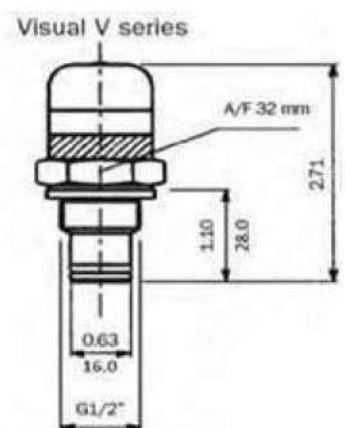
Dimensions - N Series



Visual Series

Part Number	Style	Type	Function	Thread	Rating (bar)	Suits Filter	Price (Ex. GST)
1V	Popup	Visual	Differential	1/2" BSP	1.2	MPS-(051, 071, 101)	
V6	Popup	Visual	Differential	1/2" BSP	2	LMP, MSH, MPS-(051, 071, 101)	
V7	Popup	Visual	Differential	1/2" BSP	5	FHM, FHP, FMM, FMP	
V8	Popup	Visual	Differential	1/2" BSP	7	FHM, FHP, FMM, FMP	
V9-1	Popup	Visual	Differential	1/2" BSP	10	FHM, FHP	

Dimensions - Visual V Series



MP FILTRI FILTRATION



Indicators

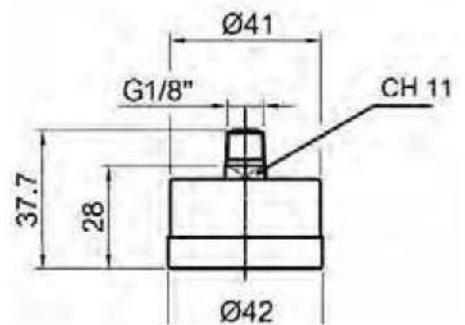
Clogging & Differential (continued)



Visual Series

Part Number	Style	Type	Thread	Rating (bar)	Suits Filter	Price (Ex. GST)
VR	Gauge	Visual	1/8" BSP	0.6	MPF-184, MPT, MPH, MST, MPS-(050, 070, 100, 200, 300)	

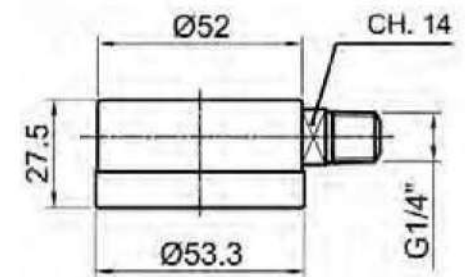
Dimensions - VR Series



Visual Series

Part Number	Style	Type	Thread	Rating (bar)	Suits Filter	Price (Ex. GST)
V	Gauge	Visual	1/4" BSP	20 KPA	SF2-250 & SF2-500 SERIES	

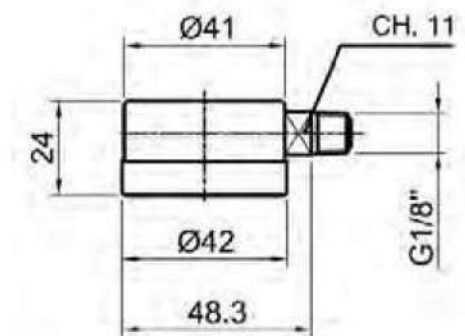
Dimensions - V Series



Visual Series

Part Number	Style	Type	Thread	Rating (bar)	Suits Filter	Price (Ex. GST)
V1	Gauge	Visual	1/8" BSP	0-6	MPF, MPH	

Dimensions - V1 Series





Indicators

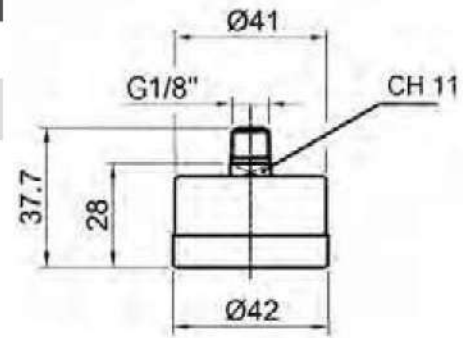
Clogging & Differential (continued)



Visual Series

Part Number	Style	Type	Thread	Rating (bar)	Suits Filter	Price (Ex. GST)
VS	Gauge	Visual	1/8" BSP	0 - 76 cm Hg	MPS-(050, 070, 100, 200, 300)	
VT	Gauge	Visual	1/8" BSP	0 - 3	MPH	

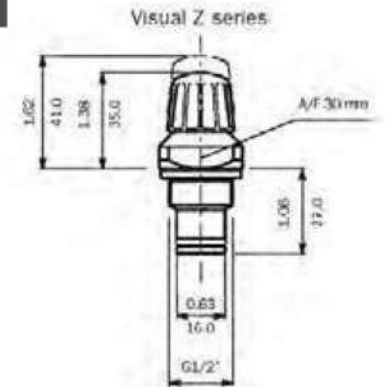
Dimensions - VS & VT Series



Visual Series

Part Number	Style	Type	Thread	Rating (bar)	Suits Filter	Price (Ex. GST)
Z1	Popup	Visual	1/2" BSP	1.2	MPS-(051, 071, 101)	

Dimensions - Z Series



MP FILTRI FILTRATION



Will Fit Elements

Hydac Compatible



Element Technical Specifications

Part Number	Hydac Part Number	Element Type	Suits Filter Housing	Price (Ex. GST)
D0030A05NNA	0030D005BN3HC	5u ABS Microfibre		
D0030A10NHA	0030D010BN3HC	10u ABS Microfibre		
D0060A06NHA	0060D005BN3HC	6u ABS Microfibre		
D0060A10NHA	0060D010BN3HC	10u ABS Microfibre		
D0110A05NHA	0110D005BN3HC	5u ABS Microfibre		
D0110A10NHA	0110D010BN3HC	10u ABS Microfibre		
D0140A10NHA	0140D010BN3HC	10u ABS Microfibre		
D0140A25NHA	0140D020BN3HC	25u ABS Microfibre		
D0160A10NHA	0160D010BN3HC	10u ABS Microfibre	DF, DFF, DFDK, DFM, DF.... MA, DF....QE, DFP, DFZ, HFM, LF, LFM, LPF, MDF, MFM, LPF.... DA.	
D0160A25NHA	0160D020BN3HC	25u ABS Microfibre		
D0240A10NHA	0240D010BN3HC	10u ABS Microfibre		
D0240A25NHA	0240D020BN3HC	25u ABS Microfibre		
D0280A10NHA	0280D010BN3HC	10u ABS Microfibre		
D0280A25NHA	0280D020BN3HC	25u ABS Microfibre		
D0330A06NHA	0330D005BN3HC	6u ABS Microfibre		
D0330A10NHA	0330D010BN3HC	10u ABS Microfibre		
D0660A10NHA	0660D010BN3HC	10u ABS Microfibre		
D0660A25NHA	0660D020BN3HC	25u ABS Microfibre		
R0030A10NA	0030R010BN3HC	10u ABS Microfibre		
R0030A25NA	0030R020BN3HC	25u ABS Microfibre		
R0060A10NHA	0060R010BN3HC	10u ABS Microfibre		
R0060A25NHA	0060R020BN3HC	25u ABS Microfibre		
R0110A10NHA	0110R010BN3HC	10u ABS Microfibre		
R0110A25NHA	0110R020BN3HC	25u ABS Microfibre		
R0160A10NHA	0160R010BN3HC	10u ABS Microfibre		
R0160A25NHA	0160R020BN3HC	25u ABS Microfibre		
R0240A10NHA	0240R010BN3HC	10u ABS Microfibre	NF, NFD, RF, RFD, RFL, RFLD, RFM	
R0240A25NHA	0240R020BN3HC	25u ABS Microfibre		
R0330A10NHA	0330R010BN3HC	10u ABS Microfibre		
R0330A25NHA	0330R020BN3HC	25u ABS Microfibre		
R0660A10NHA	0660R010BN3HC	10u ABS Microfibre		
R0660A25NHA	0660R020BN3HC	25u ABS Microfibre		
R0950A10NHA	0950R010BN3HC	10u ABS Microfibre		
R0950A25NHA	0950R020BN3HC	25u ABS Microfibre		
DK320A020ANCP01	1300R020BN3HC	20u ABS Microfibre		
R1300S25	1300R025WHC	25u Nominal Wire mesh		

Features

- High quality Italian made replacement elements to suit Hydac Return and Pressure filters.
- Element made of absolute rated inorganic microfibre with Beta ratio of $\beta_{10} > 200$.
- Suitable for over 20 types of filter housings.

Applications

- Replacement elements to suit Hydac return and pressure filters.

Performance

Flow Rating	Up to 950 lpm
Collapse Pressure	20 bar
Fluid Compatibility	Mineral & synthetic oils, water based emulsions
Filtration	5, 6, 10 & 25 micron Absolute rated
Construction	Inorganic microfibre



Will Fit Elements



Retention Capacity

Filter Element	Dimension for β valve				Filtration ratio			Final ΔP (bar)
	$\beta \geq 2$ 50%	$\beta \geq 20$ 95%	$\beta \geq 75$ 98.7%	$\beta \geq 200$ 99.5%	β_2	β_{10}	β_{20}	
A03	-	2	2.4	3	20	>10000	>10000	7
A06	-	3	4.6	6	8	>20000	>10000	7
A10	3	6	7.8	10	1.5	>200	>1000	7
A16	7	9	12	16	-	>25	>5000	7
A25	13	19	22	25	-	>1.5	>35	7
P10	10	>30	>30	-	1	2	4.5	4
P25	25	>30	>30	-	1	1	1.3	4

Filter Cross Reference

Donaldson

Donaldson Part Number	THW Part Number
CA160.1	CS100P10A
P16-2766	CG050P10A
P16-4348	CG050P25A
P16-4352	CG070P25A
P16-5875	CG100A03A
P16-5877	CG100P10A
P16-5878	CG100P10A
P16-5879	CG100P25A
P16-5880	CG150P25A
P17-1502	MF0301A25HB
P17-1503	MF0301P10NB
P17-1504	MF0301P25NB
P17-1519	MF1001A10HB
P17-1521	MF1001P10NB
P17-1522	MF1001P10NB
P17-1525	MF1001A10HB
P17-1527	MF1001P10NB
P17-1528	MF1001P10NB
P17-1531	MF1002A10HB
P17-1532	MF1002A25HB
P17-1533	MF1002P10NB
P17-1534	MF1002P25NB
P17-1537	MF1801A10HB
P17-1539	MF1801P10NB
P17-1540	MF1801P25NB
P17-1561	MF4002A10HB
P17-1562	MF4002A25HB
P17-1563	MF4002P10NB
P17-1567	MF4002A10HB
P17-1568	MF4002A25HB
P17-1569	MF4002P10NB
P17-1575	MF4003P10NB

Donaldson

Donaldson Part Number	THW Part Number
P17-1581	MF7501P10NB
P17-1602	CS050A10A
P17-1605	CS050P10A
P17-1606	CS050P25A
P17-1613	CS100A10A
P17-1615	CS100P10A
P17-1616	CS100P25A
P17-1620	CS150P10A
P17-1621	CS150P25A
P17-1622	CS150M60A
P17-1665	CU250A10N
P17-1673	CU630A25N
P17-1685	SF505M90
P17-1689	SF510M90
P17-1693	SF503M90
P17-1697	SF504M90
P17-1703	HP0371A25AN
P17-1704	HP0371P10AN
P17-1708	HP0372A10AN
P17-1709	HP0372A25AN
P17-1714	HP0651A10AN
P17-1715	HP0651A25AN
P17-1719	HP0652A06AN
P17-1720	HP0652A10AN
P17-1721	HP0652A25AN
P17-1726	HP0653A10AN
P17-1727	HP0653A25AN
P17-1735	HP1351A10AN
P17-1736	HP1351A25AN
P17-1738	HP1352A10AN
P-171741	HP3201A10AN
P-171742	HP3201A25AN

Donaldson

Donaldson Part Number	THW Part Number
P17-1744	HP3202A10AN
P17-1745	HP3202A25AN
P17-1747	HP3203A10AN
P17-1748	HP3203A25AN
P17-1814	MR2504P10A
P17-1828	MR2504A10A
P17-1837	MF1801P25NB
P17-1840	MF1801P10NB
P17-1846	MF1801A10HB
P550148	CS100P10A
P55-0268	CS050P10A

Eaton

Eaton Part Number	THW Part Number
MP-0020	CS050A10A
MP-0023	CS050P10A
MP-0024	CS050P25A
MP-0025	CS100A10A
MP-0027	CS100M90A
MP-0028	CS100P25A
MP-0029	CS150P10A
MP-0031	MPS100RGIT
MP-0033	MPS050RG1T
MP-0036	MPS050SG1T
MP-0037	CU250M25N
MP-0044	MF0301P10NB
MP-0045	MF1001A10HB
MP-0047	MF1001P10NB
MP-0048	MF1002A10HB
MP-0049	MF1002A25HB
MP-0050	MF1002P10NB
MP-0051	MF1002P25NB

MP FILTRI FILTRATION



Will Fit Elements

Filter Cross Reference (continued)

Eaton

Eaton Part Number	THW Part Number
MP-0052	MF4002A10HB
MP-0053	MF4002A25HB
MP-0054	MF4002P10NB
MP-0056	HP1352A10AH
MP-0069	HP0651A10AN
MP-0071	HP0651A25AN
MP-0072	HP1351A03AH
MP-0073	HP1351A10AH
MP-0074	HP1351A10AN
MP-0075	HP1351A25AH
MP-0076	HP1351A25AN
MP-0077	HP1352A03AH
MP-0079	HP1352A10AN
MP-0080	HP1352A25AH
MP-0082	HP3201A10AN
MP-0083	HP3203A10AN
MP-0096	HP0372A03AN
MP-0097	HP0372A10AN
MP-0098	HP0372A25AN
MP-0105	HP0652A03AH
MP-0106	HP0652A10AH
MP-0173	STR0502SG1M90
MP-0174	STR0702SG1M90
MP-0175	STR0704SG1M90
MP-0177	STR1001SG1M90
MP-0179	STR1003SG1M90
MP-0180	STR1004BG1M90
MP-0181	STR1004SG1M90
MP-0182	STR1401SG1M90
MP-0184	STR1402SG1M90
MP-0185	STR1404SG1M90
MP-0187	STR1405SG1M90
MP-0189	STR1406SG1M90
MP-0197	V7
MP-0198	E7
MP-0199	V6
MP-0200	E6
MP-0201	SF540M90
MP-0239	HP0651A03AN
MP-0246	SF510M90
MP-0254	CS100P10A
MP-0271	MF1003P10NB
MP-0273	V
MP-0300	HP1351A03AN
MP-0303	HP0371P10AN

Eaton

Eaton Part Number	THW Part Number
MP-0304	SF505M90
MP-0343	MF0301P25NB
MP-0344	MF4003P10NB
MP-0346	MF1001P25NB
MP-0347	HP0652A25AH
MP-0365	MF0301A25HB
MP-0427	MF1801P10NB
MP-0428	MF1801P25NB
MP-0429	MF1801A10HB
MP-0439	HP0371A25AN
MP-0473	MSH050BAG1T2
MP-0508	CU630A25N
MP-0513	STR1005SG1M90
MP-0516	HP3202A10AN
MP-0526	STR1003BG1M90
MP-0533	CS150P25A
MP-0534	HP3201A10AH
MP-0568	CS050A03A
MP-0619	CU250A10N
MP-0624	STR0701SG1M90
MP-0626	STR1403SG1M90
MP-0637	CS150M60A
MP-0640	MPS300SG1T
MP-0641	MPS300RG1T
MP-0646	MPF0301AG1BT
MP-0647	MPF1001AG1BT
MP-0648	MPF1002AG2BT
MP-0649	MPF1801AG1BT
MP-0650	MPF4002AG1BT
MP-0652	MPF4003AG3BT
MP-0655	FHP1352BAG1T2
MP-0679	FHP0652BAG1T2
MP-0686	SF250M90N
MP-0693	CH150A10A
MP-0695	V8
MP-0697	FHM0061SAGIT2
MP-0706	STR1005BG1M90
MP-0708	FMP0652BAG1T2
MP-0710	FMP1351BAG1T2
MP-0711	FMP1352BAG1T2
MP-0717	N7
MP-0718	N8
MP-0723	CH050A10A
MP-0727	SF2503AF1KT1
MP-0728	SF2504AF1KT1

Eaton

Eaton Part Number	THW Part Number
MP-0733	SF503M90
MP-0734	SF504M90
MP-0740	MPH2504BDSAG1T
MP-0741	MR2504P10A
MP-0748	CH150P10A
MP-0751	CH050A25A
MP-0752	MR2504A10A
MP-0776	E1
MP-0798	FMP0382BAG1T2
MP-0822	HP3201A25AN
MP-0830	HP0652A10AN
MP-0908	VR
MP-0925	HP3202A10AH
MP-0931	V9
MP-0933	MF7501P10NB
MP-0934	MF0202P10NB

Fairey Arlon

Fairey Arlon Part Number	THW Part Number
FA35-25	CG050P25A
FA511-10	CG150P10A
FA511-10	CW150P10A
FA511-25	CG150P25A
FA57-10	CG100P10A
FA57-25	CG100P25A
R750-H-0403A	CG100A03A
R920-H-0812H	HP0653A10AN
R920-H-0825H	HP0653A25AN
R921-H-0403H	HP0652A03AH
R921-H-0415H	HP0652A25AH
ST65-49	CG050A03A



Will Fit Elements

Filter Cross Reference (continued)

Filtrec

Filtrec Part Number	THW Part Number
A110C10	CS050P10A
A110C25	CS050P25A
A110G10	CS050A10A
A120C10	CS100P10A
A120C25	CS100P25A
A120G10	CS100A10A
A120T125	CS100M90A
A121C10	CS150P10A
A121C25	CS150P25A
A121T125	CS150M90A
A150G03	CG100A03A
A210C10BM	CT050P10AB
A210C25BM	CT050P25AB
A220C10BM	CT100P10AB
A220C25BM	CT100P25AB
D108G06B	HP0201A06AH
D110G03A	HP0651A03AN
D110G10A	HP0651A10AN
D110G25A	HP0651A25AN
D111G03A	HP0652A03AN
D111G03B	HP0652A03AH
D111G06A	HP0652A06AN
D111G10A	HP0652A10AN
D111G10B	HP0652A10AH
D111G25A	HP0652A25AN
D111G25B	HP0652A25AH
D112G03A	HP0653A03AN
D112G06B	HP0653A06AH
D112G10A	HP0653A10AN
D112G10B	HP0653A10AH
D112G25A	HP0653A25AN
D130G03A	HP1351A03AN
D130G03B	HP1351A03AH
D130G10A	HP1351A10AN
D130G10B	HP1351A10AH
D130G25A	HP1351A25AN
D130G25B	HP1351A25AH
D131G03A	HP1352A03AN
D131G03B	HP1352A03AH
D131G10A	HP1352A10AN
D131G10B	HP1352A10AH
D131G25B	HP1352A25AH
D131T60A	HP1352M60AN
D150G03A	HP3201A03AN
D150G10A	HP3201A10AN

Filtrec

Filtrec Part Number	THW Part Number
D150G10B	HP3201A10AH
D150G25A	HP3201A25AN
D151G03A	HP3202A03AN
D151G10A	HP3202A10AN
D151G10B	HP3202A10AH
D151G25A	HP3202A25AN
D151T60A	HP3202M60AN
D152G03A	HP3203A03AN
D152G10A	HP3203A10AN
D152G25A	HP3203A25AN
D153G03A	HP3204A03AN
D153G06B	HP3204A06AH
D153G10A	HP3204A10AN
D153G25A	HP3204A25AN
D310C10A	HP0371P10AN
D310C25A	HP0371P25AN
D310G25A	HP0371A25AN
D311G03A	HP0372A03AN
D311G10A	HP0372A10AN
D311G25A	HP0372A25AN
FS151T125	STR0502SG1M90
FS160T125	STR0701SG1M90
FS161T125	STR0702SG1M90
FS164T125	STR0704SG1M90
FS178T125	STR1003SG1M90
FS180T125	STR1402SG1M90
FS186T125	STR1403SG1M90
FS187T125	STR1404SG1M90
FS188T125	STR1405SG1M90
R110C10B	MF0301P10NB
R110C25B	MF0301P25NB
R120C10B	MF1001P10NB
R120C25B	MF1001P25NB
R122C10B	MF1002P10NB
R122C25B	MF1002P25NB
R130C10B	MF1003P10NB
R130C25B	MF1003P25NB
R140C10B	MF1801P10NB
R140C25B	MF1801P25NB
R160C10B	MF4002P10NB
R164C10B	MF4003P10NB
R166C10B	MF7501P10NB
R241G10	CU250A10N
R261G25	CU630A25N
R264T10	CU850M10N

Filtrec

Filtrec Part Number	THW Part Number
R722C10	MR2504P10A
R722G10	MR2504A10A
S230T125	SF505M90
S231T125	SF510M90
S235T125	SF540M90
DHD30G05B	D0030A06NA
DHD30G10B	D0030A10NHA
DHD60G05B	D0060A06NHA
DHD60G10B	D0060A10NHA
DHD110G05B	D0110A06NHA
DHD110G10B	D0110A10NHA
DHD140G10B	D0140A10NHA
DHD140G20B	D0140A25NHA
DHD160G10B	D0160A10NHA
DHD160G20B	D0160A25NHA
DHD240G10B	D0240A10NHA
DHD240G20B	D0240A25NHA
DHD280G10B	D0280A10NHA
DHD280G20B	D0280A25NHA
DHD330G05B	D0330A06NHA
DHD330G10B	D0330A10NHA
DHD660G10B	D0660A10NHA
DHD660G20B	D0660A25NHA
RHR30G10B	R0030A10NA
RHR30G20B	R0030A25NA
RHR60G10B	R0060A10NHA
RHR60G20B	R0060A25NHA
RHR110G10B	R0110A10NHA
RHR110G20B	R0110A25NHA
RHR160G10B	R0160A10NHA
RHR160G20B	R0160A25NHA
RHR240G10B	R0240A10NHA
RHR240G20B	R0240A25NHA
RHR330G10B	R0330A10NHA
RHR330G20B	R0330A25NHA
RHR660G10B	R0660A10NHA
RHR660G20B	R0660A25NHA
RHR950G10B	R0950A10NHA
RHR950G20B	R0950A25NHA
RHR1300G20B	DK320A020ANCP01
RHR1300S25B	R1300S25

MP FILTRI FILTRATION



Will Fit Elements

Filter Cross Reference (continued)



Parker

Parker Part Number	THW Part Number
21167	CS050P10A
921166	CS050P10A
921999	CG050P10A
925023	CG050P25A
926169	CG100P10A
926170	CG100P25A
926501	CS050A10A
926502	CS100P10A
926503	CS100A10A
927736	CG150P10A
10188101	CS050P10A
10188103	CS050P25A
10188104	CS100P25A
10188105	CS100P10A
921166&10188101	CS050P10A
926502&10188105	CS100P10A
FA35-10	CG050P10A
FA35-10W	CW050P10A
FA35-25	CG050P25A
FA511-10	CG150P10A
FA511-10W	CW150P10A
FA511-25	CG150P25A
FA57-10	CG100P10A
FA57-25	CG100P25A
FA65-49	CG050A03A
H00714001	STR0502SG1M90
H00714003	STR0702SG1M90
H00714019	STR1005SG1M90
H00714031	STR1402SG1M90
H00714035	STR1404SG1M90
H00714039	STR1404SG1M90
PR2861	CG050A03A
PR4021	CS050P10A
PR4022	CS100P10A
R750-H-0403A	CG100A03A
UC4930 - Long	CS050P10A
UCMX1518410	CS050P10A
UCMX1518425	CS050P25A
UCMX1591410	CS100P10A
UCMX15914125	CS100M90A
UCMX1591425	CS100P25A
UCMXR8550	CS050A10A
UCMXR9550	CS100A10A
UCSE 1219 (NEW NO. SE75461210)	STR1402SG1M90

Parker

Parker Part Number	THW Part Number
UCSE 1220 (NEW NO. SE75471310)	STR1404SG1M90
UCSE 1221 (NEW NO. SE75481410)	STR1405SG1M90

Stauff

Stauff Part Number	THW Part Number
025B12P0125	STR0702SG1M90
050B16P0125	STR0704SG1M90
065B20P0125	STR1001SG1M90
200B24P0125	STR1003SG1M90
261B32P0125	STR1004SG1M90
3011340P0125	STR1404SG1M90
400B48P0125	STR1405SG1M90
RTM-027-2-G10-B	MF1002A10HB
RTM-027-2-G25-B	MF1002A25HB
RTM-027-2-N10-B	MF1002P10NB
RTM-048-1-G10-B	MF1801A10HB
RTM-048-1-N10-B	MF1801P10NB
RTM-106-2-G10-B	MF4002A10HB
RTM-106-2-G25-B	MF4002A25HB
RTM-106-2-N10-B	MF4002P10NB
RTM-106-3-N10-B	MF4003P10NB
RUM-066-G10-B	CU250A10N
SF6510	CG050P25A
SF6520	CG050P10A
SF6703-MG	CG100A03A
SF6710	CG100P25A
SF6720	CG100P10A
SFC3510AE	CS050A10A
SFC3510E	CS050P10A
SFC3525E	CS050P25A
SFC5710AE	CS100A10A
SFC5710E	CS100P10A
SFC5725E	CS100P25A
SM-36-1-G10-B	HP1351A10AN
SM-36-2-G10-B	HP1352A10AN
SM-85-1-G10-B	HP3201A10AN
SM-85-2-G10-B	HP3202A10AN
SM-85-3-G10-B	HP3203A10AN
SUS015B08P0125	STR0701SG1M90
SE014G05B	D0060A06NHA
SE014G10B	D0060A10NHA
SE030G05B	D0110A06NHA

Stauff

Parker Part Number	THW Part Number
SE030G10B	D0110A10NHA
SE035G10B	D0140A10NHA
SE035G20B	D0140A25NHA
SE045G10B	D0160A10NHA
SE045G20B	D0160A25NHA
SE070G10B	D0240A10NHA
SE070G20B	D0240A25NHA
SE125G10B	D0280A10NHA
SE125G20B	D0280A25NHA
SE090G05B	D0330A06NHA
SE090G10B	D0330A10NHA
SE160G10B	D0660A10NHA
SE160G20B	D0660A25NHA
RE014G10B	R0060A10NHA
RE014G20B	R0060A25NHA
RE030G10B	R0110A10NHA
RE030G20B	R0110A25NHA
RE045G10B	R0160A10NHA
RE045G20B	R0160A25NHA
RE070G10B	R0240A10NHA
RE070G20B	R0240A25NHA
RE090G10B	R0330A10NHA
RE090G20B	R0330A25NHA
RE160G10B	R0660A10NHA
RE160G20B	R0660A25NHA
RE250G10B	R0950A10NHA
RE250G20B	R0950A25NHA
RE300G20B	DK320A020ANCP01
RE300S25B	R1300S25