

CATFORD

Jamestown

SA 5491

ENGINEERING PRODUCTS

All Prices Excluding GST

Phone: 0418 641 566

www.catford.com.au sales@catford.com.au

OMT BELL HOUSINGS & COUPLINGS



Please call or email for prices and availability.

CATFORD
ENGINEERING
PRODUCTS

Jamestown
SA 5491



Make	Model	Page
OMT	Electric Motor to DIN Mount Pumps	178
OMT	Electric Motor to SAE Mount Pumps	179

Due to fluctuations in the Australian dollar and the economic climate, please be advised that all prices are subject to change.
Please contact us to confirm pricing.

Charles:

Mobile 0418 641 566

Email sales@catford.com.au

Web www.catford.com.au



OMT BELL HOUSINGS & COUPLINGS



Electric Motor to Group 1 DIN Mount Pumps

Aluminium Construction



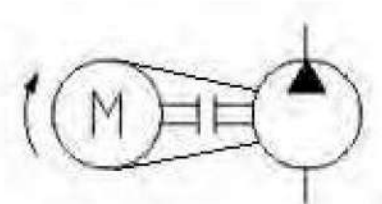
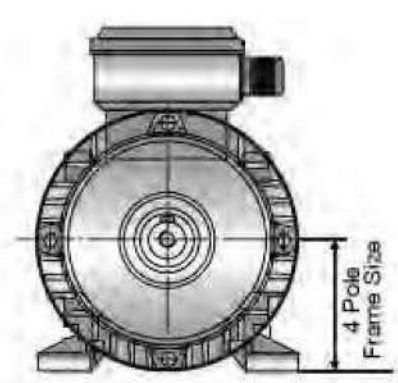
Electric Motor (hp/kW)	4 Pole Frame (mm)	Bell Housing		Electric Motor Shaft Size (mm)	Motor Half Coupling		Pump Shaft	Pump Half Coupling		Spider	
		Part Number	Price (Ex. GST)		Part Number	Price (Ex. GST)		Part Number	Price (Ex. GST)	Part Number	Price (Ex. GST)
1 / 0.75	80	LBH12BA		19	LC48M12		1:8 Taper	LC48TB		LC48S	
2 / 1.5	90	LBH12BA		24	LC65M13		1:8 Taper	LC65TB		LC65S	
5.5 / 4.0	100	LBH14BA		28	LC65M14		1:8 Taper	LC65TB		LC65S	
5.5 / 4.0	112	LBH14BA		28	LC65M14		1:8 Taper	LC65TB		LC65S	

Electric Motor to Group 2 DIN Mount Pumps

Aluminium Construction



Electric Motor (hp/kW)	4 Pole Frame (mm)	Bell Housing		Electric Motor Shaft Size (mm)	Motor Half Coupling		Pump Shaft	Pump Half Coupling		Spider	
		Part Number	Price (Ex. GST)		Part Number	Price (Ex. GST)		Part Number	Price (Ex. GST)	Part Number	Price (Ex. GST)
1 / 0.75	80	LBH12CA		19	LC65M12		1:8 Taper	LC65TC		LC65S	
2 / 1.5	90	LBH12CA		24	LC65M13		1:8 Taper	LC65TC		LC65S	
5.5 / 4.0	100	LBH14CA		28	LC86M14		1:8 Taper	LC86TC		LC86S	
5.5 / 4.0	112	LBH14CA		28	LC86M14		1:8 Taper	LC86TC		LC86S	
13.4 / 10.0	132	LBH16CA		38	LC86M16		1:8 Taper	LC86TC		LC86S	
20.0 / 15.0	160	LBH17CA		42	LC108M17		1:8 Taper	LC108TC		LC108S	
30.0 / 22.0	180	LBH17CA		48	LC108M18		1:8 Taper	LC108TC		LC108S	



OMT BELL HOUSINGS & COUPLINGS



Electric Motor to SAE-A 2 Bolt Mount Pump Aluminium Construction

Electric Motor (hp/kW)	4 Pole Frame (mm)	Bell Housing		Electric Motor Shaft Size (mm)	Motor Half Coupling		Pump Shaft	Pump Half Coupling		Spider	
		Part Number	Price (Ex. GST)		Part Number	Price (Ex. GST)		Part Number	Price (Ex. GST)	Part Number	Price (Ex. GST)
1 / 0.75	80	LBS12A2		19	LC65M12		3/4"	LC65P06		LC65S	
2 / 1.5	90	LBS12A2		24	LC65M13		3/4"	LC65P06		LC65S	
5.5 / 4.0	100	LBS14A2		28	LC86M14		3/4"	LC86P06		LC86S	
5.5 / 4.0	112	LBS14A2		28	LC86M14		3/4"	LC86P06		LC86S	
13.4 / 10.0	132	LBS16A2		38	LC86M16		3/4"	LC86P06		LC86S	
20.0 / 15.0	160	LBS17A2		42	LC108M17		3/4"	LC108P06		LC108S	
30.0 / 22.0	180	LBS17A2		48	LC108M18		3/4"	LC108P06		LC108S	

Electric Motor to SAE-B 2 Bolt Mount Pump Aluminium Construction



Electric Motor (hp/kW)	4 Pole Frame (mm)	Bell Housing		Electric Motor Shaft Size (mm)	Motor Half Coupling		Pump Shaft	Pump Half Coupling		Spider	
		Part Number	Price (Ex. GST)		Part Number	Price (Ex. GST)		Part Number	Price (Ex. GST)	Part Number	Price (Ex. GST)
1 / 0.75	80	LBS12B2		19	LC65M12		7/8"	LC65P07		LC65S	
2 / 1.5	90	LBS12B2		24	LC65M13		7/8"	LC65P07		LC65S	
5.5 / 4.0	100	LBS14B2		28	LC86M14		7/8"	LC86P07		LC86S	
5.5 / 4.0	112	LBS14B2		28	LC86M14		7/8"	LC86P07		LC86S	
13.4 / 10.0	132	LBS16B2		38	LC86M16		7/8"	LC86P07		LC86S	
20.0 / 15.0	160	LBS17B2		42	LC108M17		7/8"	LC108P07		LC108S	
30.0 / 22.0	180	LBS17B2		48	LC108M18		7/8"	LC108P07		LC108S	

