

CATFORD

Jamestown

SA 5491

ENGINEERING PRODUCTS

All Prices Excluding GST

Phone: 0418 641 566

www.catford.com.au sales@catford.com.au

VICKERS & STEED PISTON & VANE PUMPS



Please call or email for prices and availability.

VICKERS & STEED PISTON & VANE PUMPS

CATFORD ENGINEERING PRODUCTS

Jamestown
SA 5491



Make	Model	Page
Eaton Vickers	420 Series Piston Pumps	114
Steed	PV Series Piston Pumps	115
Eaton Vickers	V10 Vane Pumps	116
Eaton Vickers	V20 Vane Pumps	117
Eaton Vickers	VQ Vane Pumps	118
Eaton Vickers	Foot Brackets	119

Due to fluctuations in the Australian dollar and the economic climate, please be advised that all prices are subject to change.

Please contact us to confirm pricing.

Charles:

Mobile 0418 641 566

Email sales@catford.com.au

Web www.catford.com.au



VICKERS & STEED PISTON & VANE PUMPS



420 Series Piston Pumps

Part Number	Displacement (cc/rev)	Mount	Shaft Type	Rotation	Min Speed (rpm)	Max Speed (rpm)	Control Type	Port Position	Rear Mount & Output shaft	Special Control features	Price (Ex. GST)
421AK00561B	41	2 Bolt B	16/32 13 T	Left (CCW)	600	3600	Pressure Flow Comp with LS port	Rear	No auxiliary mounting		
421AK00562B	41	2 Bolt B	7/8" Keyed	Right (CW)	600	3600	Pressure Flow Comp with LS port	Rear	No auxiliary mounting		
421AK00563B	41	2 Bolt B	16/32 13 T	Right (CW)	600	3600	Pressure Flow Comp with LS port	Side	No auxiliary mounting		
421AK00552B	62	2 Bolt B	7/8" Keyed	Right (CW)	600	3600	Pressure Flow Comp with LS port	Side	No auxiliary mounting		
421AK00553B	62	2 Bolt B	16/32 13 T	Right (CW)	600	3600	Pressure Flow Comp with LS port	Side	No auxiliary mounting		
421AK00142B	62	2 Bolt B	1" Keyed	Right (CW)	600	3600	Pressure Flow Comp with LS port	Side	Dual SAE A 2 Bolt, 9T 16/32		
421AK00171B	62	2 Bolt B	1" Keyed	Left (CCW)	600	3600	Pressure Flow Comp with LS port	Side	SAE B 2 Bolt, 13T 16/32		
421AK00481B	62	2/4 Bolt C	1.25" Keyed	Right (CW)	600	3600	Pressure Flow Comp with LS port	Side	No auxiliary mounting		
421AK00483B	62	2/4 Bolt C	1.25" Keyed	Right (CW)	600	3600	Pressure Flow Comp with LS port	Side	No auxiliary mounting	Bleed Down Orifice	
421AK00487B	62	2/4 Bolt C	12/24 14T	Right (CW)	600	3600	Pressure Flow Comp with LS port	Side	No auxiliary mounting		
421AK00501B	62	2/4 Bolt C	12/24 14T	Left (CCW)	600	3600	Pressure Flow Comp with LS port	Side	SAE A 2 Bolt, 9T 16/32		
421AK00529B	62	2/4 Bolt C	1.25" Keyed	Right (CW)	600	3600	Pressure Flow Comp with LS port	Side	SAE B 2 Bolt, 13T 16/32		
421AK00531B	62	2/4 Bolt C	1.25" Keyed	Right (CW)	600	3600	Pressure Flow Comp with LS port	Side	SAE B 2 Bolt, 13T 16/32	Bleed Down Orifice	
421AK00492C	80	2/4 Bolt C	1.25" Keyed	Right (CW)	600	3600	Pressure Flow Comp with LS port	Side	No auxiliary mounting		
421AK00494B	80	2/4 Bolt C	12/24 14T	Right (CW)	600	3600	Pressure Flow Comp with LS port	Side	No auxiliary mounting		

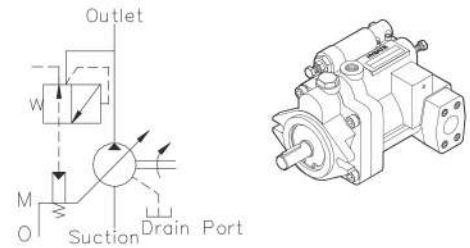
Spares

Part Number	Description	Price (Ex. GST)
9900633-000	Seal Kit Standard	
9900634-000	Seal Kit Viton	
4998834-001	Shaft Seal Viton SAEC	
9900194-008	Bearing Shim Kit	

VICKERS & STEED PISTON & VANE PUMPS



PV Series Piston Pumps Ordering Code



PV	36	A	3	R	S	F	2090
Series No.	Displacement cc/rev (in ³ /rev)	Control Types	Pressure Compensating Range	Rotation	Port Position	Mounting	Design No. Shaft Option Flange Option
PV: Variable Volume Piston Pump	8: 8 cc/rev, 16: 16 cc/rev, 22: 22 cc/rev, 36: 36 cc/rev, 46: 46 cc/rev,	A: Pressure Compensating (Manual) B: Pressure Compensating Type Pilot (Remote Control) HL: Load Sensing Compensator	0: 10-35 bar (143-500 psi) 1: 20-70 bar (286-1000 psi) 2: 30-140 bar (429-2000 psi) 3: 30-210 bar (429-3000 psi)	R: Clockwise (CW) L: Counter- Clockwise (CCW) Viewed from Shaft End	S: Side Port Viewed from Shaft End	F: Flange Mounge	Design No.
							2090: PF(G) Flange Kits, Straight Key ←

Part Number	Displacement cc/rev (in ³ /rev)	Mount	Shaft Type	Drive Speed (rpm)		Weight (kg)	Price (Ex. GST)
				min	max		
PV-8-A-3RSF-2090	8	SAE-A 2 bolt	3/4" Straight Keyed	500	2000	7.5	
PV-8-B-3RSF-2090	8	SAE-A 2 bolt	3/4" Straight Keyed	500	2000	7.5	
PV-8-HL-3RSF-2090	8	SAE-A 2 bolt	3/4" Straight Keyed	500	2000	7.5	
PV-16-A-3RSF-2090	16	SAE-A 2 bolt	3/4" Straight Keyed	500	2000	10.5	
PV-16-B-3RSF-2090	16	SAE-A 2 bolt	3/4" Straight Keyed	500	2000	10.5	
PV-16-HL-3RSF-2090	16	SAE-A 2 bolt	3/4" Straight Keyed	500	2000	10.5	
PV-22-A-3RSF-2090	22	SAE-A 2 bolt	3/4" Straight Keyed	500	2000	10.5	
PV-22-B-3RSF-2090	22	SAE-A 2 bolt	3/4" Straight Keyed	500	2000	10.5	
PV-22-HL-3RSF-2090	22	SAE-A 2 bolt	3/4" Straight Keyed	500	2000	10.5	
PV-36-A-3RSF-2090	36	SAE-B 2 bolt	7/8" Straight Keyed	500	2000	23	
PV-36-B-3RSF-2090	36	SAE-B 2 bolt	7/8" Straight Keyed	500	2000	23	
PV-36-HL-3RSF-2090	36	SAE-B 2 bolt	7/8" Straight Keyed	500	2000	23	
PV-46-A-3RSF-2090	46	SAE-B 2 bolt	7/8" Straight Keyed	500	2000	23	
PV-46-B-3RSF-2090	46	SAE-B 2 bolt	7/8" Straight Keyed	500	2000	23	
PV-46-HL-3RSF-2090	46	SAE-B 2 bolt	7/8" Straight Keyed	500	2000	23	

VICKERS & STEED PISTON & VANE PUMPS



V10 Vane Pumps

Model	Part Number	Displacement cc/rev (Cu.in/rev)	Shaft Type	Maximum Speed (rpm)	Maximum Pressure bar (psi)	Mounting	Weight (kg)	Price (Ex. GST)
V10-1S1S-1C-20	386496-3	3.3 (0.2)	3/4" Straight Keyed	4800	175 (2500)	SAE-A 2 Bolt	3.6	
V10-1S2S-1C-20	382063-3	6.5 (0.4)	3/4" Straight Keyed	4500	175 (2500)	SAE-A 2 Bolt	3.6	
V10-1S3S-11C-20L	382069-7	9.8 (0.6)	Splined SAE-A 9 T	4000	175 (2500)	SAE-A 2 Bolt	3.6	
V10-1S3S-1C-20	382067-3	13.1 (0.8)	3/4" Straight Keyed	4000	175 (2500)	SAE-A 2 Bolt	3.6	
V10-1S3S-38C-20	502495-3	13.1 (0.8)	Splined 11T	4000	175 (2500)	SAE-A 2 Bolt	3.6	
V10-1S4S-1C-20	382071-3	13.1 (0.8)	3/4" Straight Keyed	3400	175 (2500)	SAE-A 2 Bolt	3.6	
V10-1S5S-1C-20	382074-3	16.4 (1.0)	3/4" Straight Keyed	3200	175 (2500)	SAE-A 2 Bolt	3.6	
V10-1S6S-1C-20	387500-3	19.5 (1.19)	3/4" Straight Keyed	3000	155(2220)	SAE-A 2 Bolt	3.6	
V10-1S7S-1C-20	382095-3	22.8 (1.39)	3/4" Straight Keyed	2800	140 (2000)	SAE-A 2 Bolt	3.6	
V10-1S7S-11C-20	358857-3	22.8 (1.39)	Splined SAE-A 9 T	2800	140 (2000)	SAE-A 2 Bolt	3.6	
V10F-1S2T-1C-2G-20	426650-3	6.5 (0.4)	3/4" Straight Keyed	4500	175 (2500)	SAE-A 2 Bolt	3.6	
V10F-1S3T-1C-2G-20	502814-3	9.8 (0.6)	3/4" Straight Keyed	4000	175 (2500)	SAE-A 2 Bolt	3.6	
V10F-1S4T-1C-2G-20	430562-3	13.1 (0.8)	3/4" Straight Keyed	3400	175 (2500)	SAE-A 2 Bolt	3.6	
V10F-1S5T-1C-2F-20	02-142719-3	16.4 (1.0)	3/4" Straight Keyed	3200	175 (2500)	SAE-A 2 Bolt	3.6	
V10F-1S5T-1C-4K-20	882965-3	16.4 (1.0)	3/4" Straight Keyed	3200	175 (2500)	SAE-A 2 Bolt	3.6	
V10F-1S5T-3C-4H-20	875848-3	16.4 (1.0)	Tapered	3200	175 (2500)	SAE-A 2 Bolt	3.6	
V10F-1S6T-1C-3D-12	02-143610-3	19.5 (1.19)	3/4" Straight Keyed	3000	155 (2220)	SAE-A 2 Bolt	3.6	
V10F-1S6T-38C-6E-20	875849-3	19.5 (1.19)	Splined 11T	3000	155 (2220)	SAE-A 2 Bolt	3.6	
V10F-1S7T-38C-5F-20	02-314884-3	22.8 (1.39)	Splined 11T	2800	140 (2000)	SAE-A 2 Bolt	3.6	
V10F-1S7T-38C-6G-20	452335-3	22.8 (1.39)	Splined 11T	2800	140 (2000)	SAE-A 2 Bolt	3.6	

Cartridge Kit - (12 Vanes)

Models	Size	Part Number	Price (Ex. GST)
V10 V10F V10P	-1	923471	
	-2	02-341775	
	-3	923496	
	-4	923469	
	-5	923468	
	-6	923497	
	-7	923498	

Shafts

Seal Kit Type	Part Number	Shaft Type	Price (Ex. GST)
V10-****-1	374338	Straight	
V10-****-3	374340	Threaded	
V10-****-11	374339	Splined 9T	
V10-****-12	375480	Splined 13T	
V10-****-38	387481	Splined 11T	

Seal Kits

Seal Kits Type	Part Number	Price (Ex. GST)
Standard V10	923548	
F3 Equivalent	919772	

VICKERS & STEED PISTON & VANE PUMPS



V20 Vane Pumps

	Model Code	Part Number	Displacement cc/rev (Cu.in/rev)	Shaft Type	Maximum Speed (rpm)	Maximum Pressure bar (psi)	Mounting	Weight (kg)	Price (Ex. GST)
Standard	V20-1S6S-1C-11	372585-3	19.5 (1.19)	3/4" Straight Keyed	3400	175 (2500)	SAE-A 2 Bolt	5	
	V20-1S8S-1C-11	372564-3	26.5 (1.62)	3/4" Straight Keyed	2800	175 (2500)	SAE-A 2 Bolt	5	
	V20-1S9S-1C-11	372586-3	29.6 (1.81)	3/4" Straight Keyed	2800	175 (2500)	SAE-A 2 Bolt	5	
	V20-1S9S-62C-11	02-102257-3	29.6 (1.81)	Splined SAE-A 9T	2800	175 (2500)	SAE-A 2 Bolt	5	
	V20-1S11S-1C-11	358358-3	36.4 (2.22)	3/4" Straight Keyed	2500	175 (2500)	SAE-A 2 Bolt	5	
	V20-1S13S-1C-11	372561-3	42.4 (2.59)	3/4" Straight Keyed	2400	155 (2200)	SAE-A 2 Bolt	5	
Integral flow control valve	V20F-4P9P-1C-6G-22	02-142345-3	29.6 (1.81)	3/4" Straight Keyed	2800	175 (2500)	SAE-A 2 Bolt	5	
	V20F-1S8S-38B-5J-22L	02-318882-6	26.6 (1.62)	Splined 11 Tooth	2800	175 (2500)	SAE-A 2 Bolt	5	
	V20F-1P9P-38C-6G-22	02-142126-3	29.6 (1.81)	Splined 11 Tooth	2800	175 (2500)	SAE-A 2 Bolt	5	
	V20F-1S9S-38B-6K-22	02-306047-2	29.6 (1.81)	Splined 11 Tooth	2800	175 (2500)	SAE-A 2 Bolt	5	
	V20F-1S9S-38D-5K-22	02-466667-4	29.6 (1.81)	Splined 11 Tooth	2800	175 (2500)	SAE-A 2 Bolt	5	
	V20F-1P11P-38C-6F-22	02-141803-3	36.4 (2.22)	Splined 11 Tooth	2500	175 (2500)	SAE-A 2 Bolt	5	
	V20F-1S11S-38C-5J-22	02-318881-3	36.4 (2.22)	Splined 11 Tooth	2500	175 (2500)	SAE-A 2 Bolt	5	
	V20F-1913P-3C-10F-22	02-141835-3	42.4 (2.59)	Tapered	2400	155 (2200)	SAE-A 2 Bolt	5	

Cartridge Kit - (12 Vanes)

Models	Size	Part Number	Price (Ex. GST)
V20 V20F V20P	-6	02-137560	
	-7	02-137561	
	-8	02-137562	
	-9	02-137563	
	-11	02-137565	
	-12	02-137566	
	-13	02-137567	

Seal Kits

Seal Kit type	Design code	Part Number	Price (Ex. GST)
Standard V20	-11	922733	
F3-V20	-11	919805	
V20F	-22	02-137557	
V20P	-12	922733	
F3-V20P	-12	919805	

Shaft

Seal Kit type	Part Number	Shaft Type	Price (Ex. GST)
V20*-****-1	280372	Straight	
V20*-****-3	280504	Threaded	
V20*-****-6	297330	Splined	
V20*-****-11	280515	Splined 11T	
V20*-****-15	294922	Splined 13T	
V20*-****-38	328096	Splined 11T - 3/4	
V20*-****-62	582610	Splined 9T	

VICKERS & STEED PISTON & VANE PUMPS



VQ Intra-vane Pumps

Model Code	Part Number	Displacement cc/rev (Cu.in/rev)	Shaft Type	Maximum Speed (rpm)	Maximum pressure bar (psi)	Mounting	Weight (kg)	Price (Ex. GST)
20VQ5A-1C30	981306-3	18.0 (1.10)	7/8" Keyed	2700	210 (3000)	SAE-B 2 Bolt	11.8	
20VQ8A-1C30	497140-3	27.4 (1.67)	7/8" Keyed	2700	210 (3000)	SAE-B 2 Bolt	11.8	
20VQ11A-1C30	981309-3	36.4 (2.22)	7/8" Keyed	2700	210 (3000)	SAE-B 2 Bolt	11.8	
20VQ12A-1C30	497141-3	39.5 (2.41)	7/8" Keyed	2700	160 (2300)	SAE-B 2 Bolt	11.8	
20VQ14A-151C30	876384-3	45.9 (2.80)	Splined SAE-B 13 T	2700	140 (2000)	SAE-B 2 Bolt	11.8	
20VQ14A-1C-30	981310-3	45.9 (2.80)	7/8" Keyed	2700	140 (2000)	SAE-B 2 Bolt	11.8	
25VQ12A-1C20	417994-3	40.2 (2.45)	7/8" Keyed	2700	210 (3000)	SAE-B 2 Bolt	14.5	
25VQ14A-1C20	417993-3	45.4 (2.77)	7/8" Keyed	2700	210 (3000)	SAE-B 2 Bolt	14.5	
25VQ17A-11C20	421475-3	55.2 (3.37)	Splined SAE-B 13 T	2500	210 (3000)	SAE-B 2 Bolt	14.5	
25VQ17A-1C20	417992-3	55.2 (3.37)	7/8" Keyed	2500	210 (3000)	SAE-B 2 Bolt	14.5	
25VQ21A-11C20	421477-3	67.5 (4.12)	Splined SAE-B 13T	2500	210 (3000)	SAE-B 2 Bolt	14.5	
25VQ21A-1C20	416457-3	67.5 (4.12)	1-1/4" Keyed	2500	210 (3000)	SAE-C 2 Bolt	22.7	
35VQ25A-1C20	421527-3	81.6 (4.98)	1-1/4" Keyed	2500	210 (3000)	SAE-C 2 Bolt	22.7	
35VQ30A-1C20	421555-3	97.7 (5.96)	1-1/4" Keyed	2500	210 (3000)	SAE-C 2 Bolt	22.7	
35VQ35A-1C20	421528-3	112.8 (6.88)	1-1/4" Keyed	2400	210 (3000)	SAE-C 2 Bolt	22.7	
35VQ38A-1C20	421529-3	121.6 (7.42)	1-1/4" Keyed	2400	210 (3000)	SAE-C 2 Bolt	22.7	
45VQ42A-1C20	432647-3	138.7 (8.46)	1-1/4" Keyed	2200	175 (2500)	SAE-C 2 Bolt	34.1	
45VQ50A-1C20	421966-3	162.3 (9.90)	1-1/4" Keyed	2200	175 (2500)	SAE-C 2 Bolt	34.1	
45VQ60A-1C20	421967-3	193.4 (11.80)	1-1/4" Keyed	2200	175 (2500)	SAE-C 2 Bolt	34.1	

20VQ Cartridge Kit - (10 Vanes)

Models	Size	Part Number	Price (Ex. GST)
20VQ	-5	497115	
	-8	497118	
	-11	497120	
	-12	497121	
	-14	497122	

35VQ/36VQ Cartridge Kit - (10 Vanes)

Models	Size	Part Number	Price (Ex. GST)
35VQ	-25	413421	
	-30	413422	
	-35	413415	
	-38	413419	

25VQ/26VQ Cartridge Kit - (10 Vanes)

Models	Size	Part Number	Price (Ex. GST)
25VQ	-12	416439	
	-14	416440	
	-17	416441	
	-19	421232	
	-21	416442	

45VQ Cartridge Kit - (10 Vanes)

Models	Size	Part Number	Price (Ex. GST)
20VQ	-42	416435	
	-50	416436	
	-60	416437	

Seal Kits

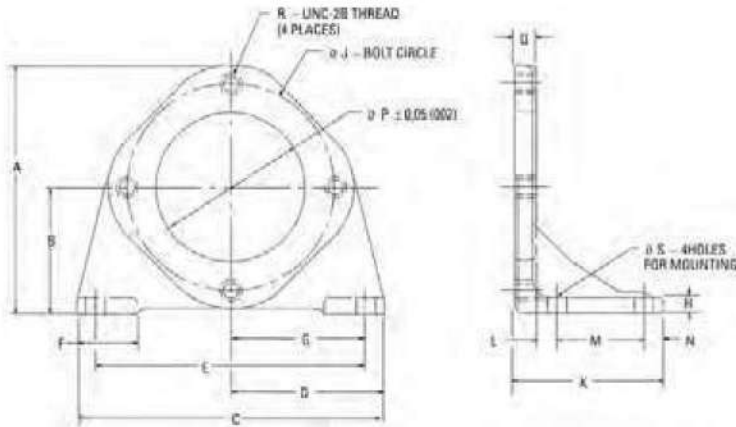
Seal Kit	Single Shaft Seal Kit	List Price	Double Shaft Seal Kit	Price (Ex. GST)
20VQ	497123		-	-
25VQ,26VQ,30VQ,31VQ	920021	\$121.00	920022	
F3-25VQ,26VQ,30VQ,31VQ	920023		920024	
35VQ,36VQ	920015	\$295.00	920016	
F3-35VQ,36VQ	900029		920030	
45VQ	920025	\$338.00	-	-
F3-45VQ	920027		920028	

VICKERS & STEED PISTON & VANE PUMPS



Foot Brackets

Part Number	List Price	Model	Spigot Dia. mm (in)	SAE Standard
422582		FB-A-10	82.6 (3.5)	SAE-A 2 Bolt Mount
422583		FB-B-10	101.4 (4.0)	SAE-B 2 Bolt Mount
422584		FB-C-10	127.0 (5.0)	SAE-C 2 Bolt Mount



Dimensions - mm (in.)

Model	A	B	C	D	E	F	G	H	J	K	L	M	N	P	Q	R	S
FB-A-10	134,9 (5.31)	69,9 (2.75)	152,4 (6.00)	76,2 (3.00)	127,0 (5.00)	36,6 (1.44)	63,5 (2.50)	12,7 (.50)	106,4 (4.19)	96,0 (3.78)	15,0 (.59)	50,8 (2.00)	12,7 (.50)	82,6 (3.25)	17,5 (.69)	.38-16	11,2 (.44)
FB-B-10	180,8 (7.12)	92,2 (3.63)	171,5 (6.75)	85,8 (3.38)	146,0 (5.75)	36,6 (1.44)	73,2 (2.88)	12,7 (.50)	146,0 (5.75)	95,8 (3.77)	15,0 (.59)	50,8 (2.00)	12,7 (.50)	101,6 (4.00)	17,3 (.68)	.50-13	17,3 (.68)
FB-C-10	215,9 (8.50)	109,5 (4.31)	265,2 (10.44)	132,6 (5.22)	235,0 (9.25)	50,8 (2.00)	117,6 (4.63)	15,7 (.62)	181,1 (7.13)	131,6 (5.18)	19,1 (.75)	72,2 (3.00)	17,3 (.68)	127,0 (5.00)	19,1 (.75)	.62-11	17,3 (.68)