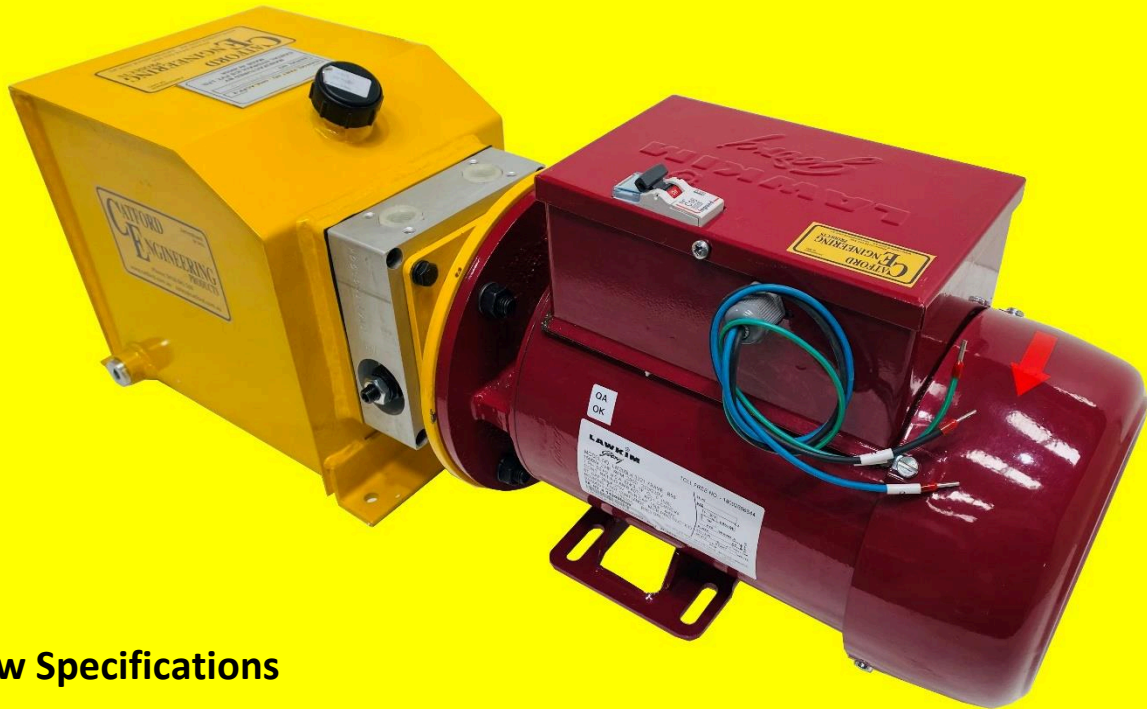


Catford AC 1.5KW 240 Volt Hydraulic Power Pack



1.5Kw Specifications

- * 1.5Kw AC Power Pack
- * Motor Input Voltage : 240 Volts, 1PH, 50Hz
- * P & T Double Acting
- * System Working Pressure : 160 Bar/2320 PSI
- * System Oil Flow : 4.5 LPM
- * Gear Oil Pump : PP20 (2.1cc)
- * P & T Ports : 3/8" BSPP
- * Weight without oil : 33Kgs
- * Oil Tank : 7.5Ltrs Square

Part Number : DHA-ACPP-2 \$2,068 including GST

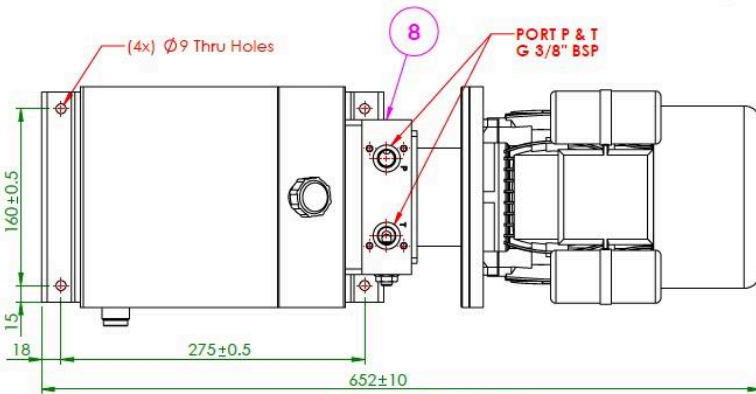
OUR STANDARD

ISO 9001
Quality

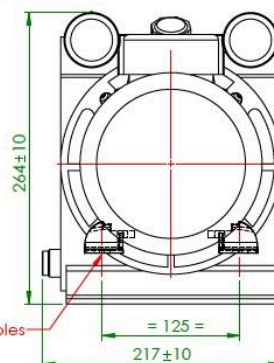
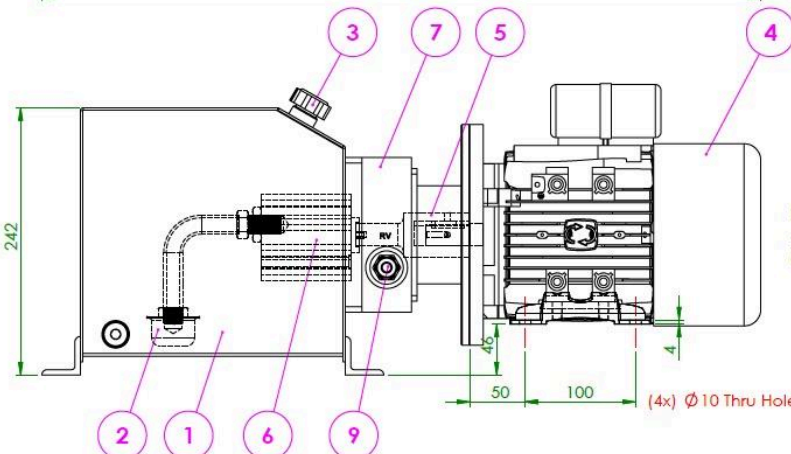
ISO 14001
Environment

OHSAS 18001
Health & Safety

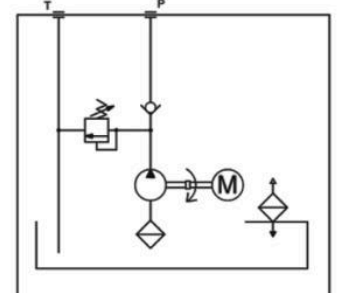
YOUR GUARANTEE



Item No	Description	Description	Qty
1	TANK	7.5 LTRS (MS)	1
2	SUCTION STRAINER	G 3/8"	1
3	BREATHER	ABP-04-B	1
4	DC MOTOR	1.5KW-1PHASE-220VAC	1
5	DRIVE COUPLING	SPECIAL	1
6	GEAR PUMP	PP20 (2.1cc)	1
7	MANIFOLD BLOCK	SPECIAL (AL-6082-T6)	1
8	CHECK VALVE	LCV-08-P-0.7	1
9	PR.RELIEF VLV	LRV-08-36	1



HYDRAULIC CIRCUIT



Catford AC 1.5KW 240 Volt Hydraulic Power Pack

One Station 1.5Kw Specifications



1.5Kw Specifications One Station

- * One Station Double Acting includes : Cetop Manifold, 1 x 24V Cetop 3 Valve & Pendant.
- * 1.5Kw AC Power Pack
- * Motor Input Voltage : 240 Volts, 1PH, 50Hz
- * System Working Pressure : 160 Bar/2320 PSI
- * System Oil Flow : 4.5 LPM
- * Gear Oil Pump : PP20 (2.1cc)
- * P & T Ports : 3/8" BSPP
- * Weight without oil : 34Kgs
- * Oil Tank : 7.5Ltrs Square

Part Number : DHA-ACPP-2-1S

Price : \$2,695 including GST

Two Station 1.5Kw Specifications

1.5Kw Specifications Two Station

- * Two Station Double Acting includes : Cetop Manifold, 2 x 24V Cetop 3 Valves & Pendant.
- * 1.5Kw AC Power Pack
- * Motor Input Voltage : 240 Volts, 1PH, 50Hz
- * System Working Pressure : 160 Bar/2320 PSI
- * System Oil Flow : 4.5 LPM
- * Gear Oil Pump : PP20 (2.1cc)
- * P & T Ports : 3/8" BSPP
- * Weight without oil : 35Kgs
- * Oil Tank : 7.5Ltrs Square

Part Number : DHA-ACPP-2-2S

Price : \$3,036 including GST



CATFORD
ENGINEERING
PRODUCTS

Jamestown
SA 5491

Phone: 0418 641 566

www.catford.com.au sales@catford.com.au

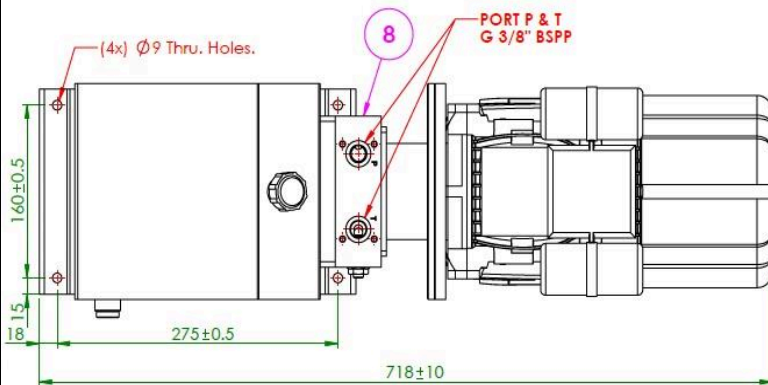
Please Note : These Power Packs do not come with a 24 Volt Transformer to operate the Cetop 3 Valves & Pendant. Please contact your local electrician.

Catford AC 2.2KW 240 Volt Hydraulic Power Pack

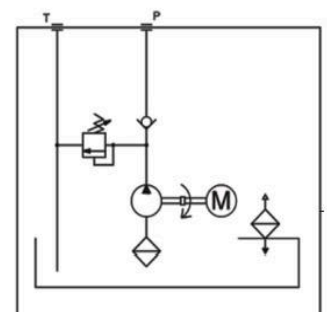
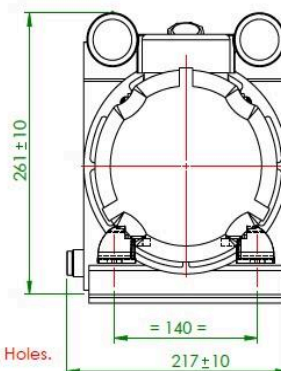
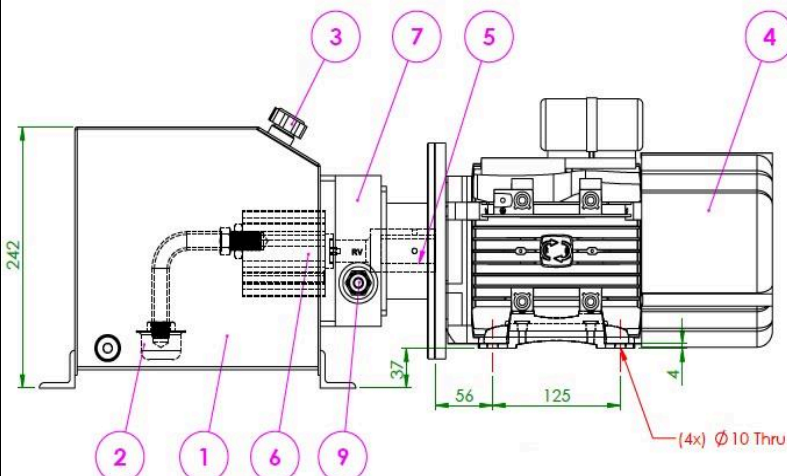


2.2Kw Specifications

- * 2.2Kw AC Power Pack **Part Number : DHA-ACPP-4 \$2,250 including GST**
- * Motor Input Voltage : 240 Volts, 1PH, 50Hz
- * P & T Double Acting
- * System Working Pressure : 180 Bar/2610 PSI
- * System Oil Flow : 4.5 LPM
- * Gear Oil Pump : PP20 (2.1cc)
- * P & T Ports : 3/8" BSPP
- * Weight without oil : 35Kgs
- * Oil Tank : 7.5Ltrs Square



Item No	Description	Description	Qty
1	TANK	7.5 LTRS (MS)	1
2	SUCTION STRAINER	G 3/8"	1
3	BREATHER	ABP-04-B	1
4	DC MOTOR	2.2KW-1PHASE-220VAC	1
5	DRIVE COUPLING	SPECIAL	1
6	GEAR PUMP	PP20 (2.1cc)	1
7	MANIFOLD BLOCK	SPECIAL (AL-6082-T6)	1
8	CHECK VALVE	LCV-08-P-0.7	1
9	PR.RELIEF VLV	LRV-08-36	1



HYDRAULIC CIRCUIT

Catford AC 2.2KW 240 Volt Hydraulic Power Pack



One Station 2.2Kw Specifications 2.2Kw Specifications One Station

- * One Station Double Acting includes : Cetop Manifold, 1 x 24V Cetop 3 Valve & Pendant.
- * 2.2Kw AC Power Pack
- * Motor Input Voltage : 240 Volts, 1PH, 50Hz
- * System Working Pressure : 180 Bar/2610 PSI
- * System Oil Flow : 4.5 LPM
- * Gear Oil Pump : PP20 (2.1cc)
- * P & T Ports : 3/8" BSPP
- * Weight without oil : 36Kgs
- * Oil Tank : 7.5Ltrs Square

Part Number : DHA-ACPP-4-1S

Price : \$2,877 including GST

Two Station 2.2Kw Specifications 2.2Kw Specifications Two Station

- * Two Station Double Acting includes : Cetop Manifold, 2 x 24V Cetop 3 Valves & Pendant.
- * 2.2Kw AC Power Pack
- * Motor Input Voltage : 240 Volts, 1PH, 50Hz
- * System Working Pressure : 180 Bar/2610 PSI
- * System Oil Flow : 4.5 LPM
- * Gear Oil Pump : PP20 (2.1cc)
- * P & T Ports : 3/8" BSPP
- * Weight without oil : 37Kgs
- * Oil Tank : 7.5Ltrs Square

Part Number : DHA-ACPP-4-2S

Price : \$3,218 including GST



CATFORD
ENGINEERING
PRODUCTS

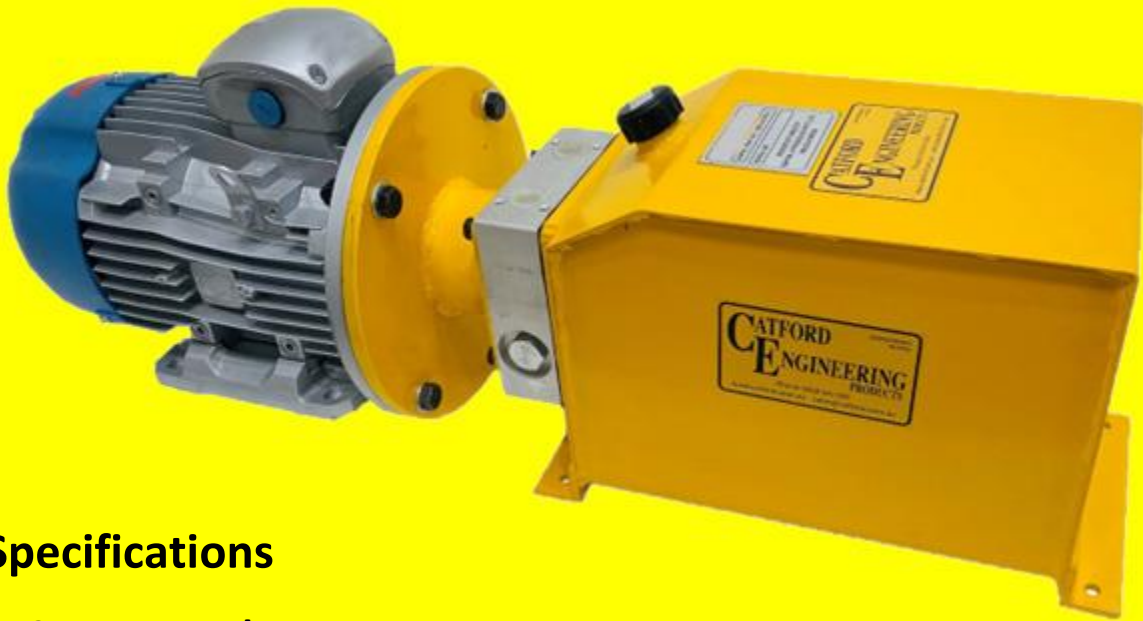
Jamestown
SA 5491

Phone: 0418 641 566

www.catford.com.au sales@catford.com.au

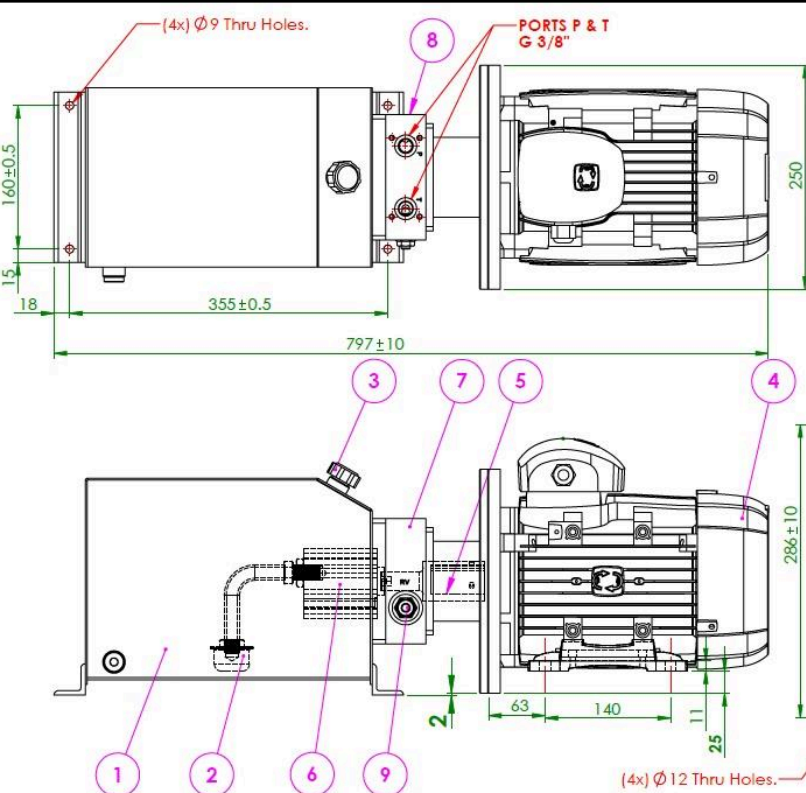
Please Note : These Power Packs do not come with a 24 Volt Transformer to operate the Cetop 3 Valves & Pendant. Please contact your local electrician.

Catford AC 3KW 415 Volt Hydraulic Power Pack

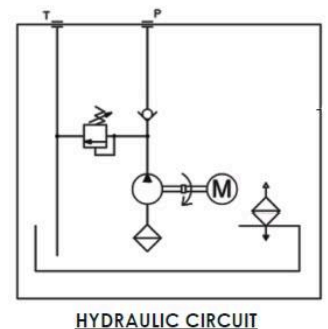


3Kw Specifications

- * 3Kw AC Power Pack **Part Number : DHA-ACPP-6 \$2,385 including GST**
- * Motor Input Voltage : 415 Volts, 3PH, 50Hz
- * P & T Double Acting
- * System Working Pressure : 200 Bar/2900 PSI
- * System Oil Flow : 6.5 LPM
- * Gear Oil Pump : PP20 (2.6cc)
- * P & T Ports : 3/8" BSPP
- * Weight without oil : 43Kgs
- * Oil Tank : 10Ltrs Square



Item No	Description	Description	Qty
1	TANK	10 LTRS (MS)	1
2	SUCTION STRAINER	G 3/8"	1
3	BREATHER	ABP-04-B	1
4	DC MOTOR	3KW-3PHASE-415V	1
5	DRIVE COUPLING	SPECIAL	1
6	GEAR PUMP	PP20 (2.6cc)	1
7	MANIFOLD BLOCK	SPECIAL (AL-6082-T6)	1
8	CHECK VALVE	LCV-08-P-0.7	1
9	PR.RELIEF VLV	LRV-08-36	1



Catford AC 3KW 415 Volt Hydraulic Power Pack



One Station 3Kw Specifications

3Kw Specifications One Station

- * One Station Double Acting includes : Cetop Manifold, 1 x 24V Cetop 3 Valve & Pendant.
- * 3Kw AC Power Pack
- * Motor Input Voltage : 415 Volts, 3PH, 50Hz
- * System Working Pressure : 200 Bar/2900 PSI
- * System Oil Flow : 6.5 LPM
- * Gear Oil Pump : PP20 (2.6cc)
- * P & T Ports : 3/8" BSPP
- * Weight without oil : 44Kgs
- * Oil Tank : 10Ltrs Square

Part Number : DHA-ACPP-6-1S

Price : \$3,050 including GST



Two Station 3Kw Specifications

3Kw Specifications Two Station

- * Two Station Double Acting includes : Cetop Manifold, 2 x 24V Cetop 3 Valves & Pendant.
- * 3Kw AC Power Pack
- * Motor Input Voltage : 415 Volts, 3PH, 50Hz
- * System Working Pressure : 200 Bar/2900 PSI
- * System Oil Flow : 6.5 LPM
- * Gear Oil Pump : PP20 (2.6cc)
- * P & T Ports : 3/8" BSPP
- * Weight without oil : 44Kgs
- * Oil Tank : 10Ltrs Square

Part Number : DHA-ACPP-6-2S

Price : \$3,360 including GST



CATFORD
ENGINEERING
PRODUCTS

Jamestown
SA 5491

Phone: 0418 641 566
www.catford.com.au sales@catford.com.au

Please Note : These Power Packs do not come with a 24 Volt Transformer to operate the Cetop 3 Valves & Pendant. Please contact your local electrician.